



*retro*

REPLACEMENT LED POOL LIGHT

A detailed line drawing of a circular pool light cover. The cover features a central lens with a grid of small circles. The outer ring has several semi-circular protrusions or mounting points. A thick black horizontal bar with rounded ends is overlaid across the middle of the cover, containing the text 'RETRO INSTALLATION'.

RETRO INSTALLATION

**INSTALLATION &  
OWNER'S MANUAL**

# CONTENTS

READ THIS FIRST	2
TOOLS REQUIRED / PRODUCT SUPPORT	3
INCLUDED PARTS	4
BEFORE YOU START	5
EXISTING LIGHT REMOVAL	6
LIGHT INSTALLATION	7
TRI COLOUR OPERATION	14

# READ THIS FIRST

The GK-Retro LED Light now utilises **variable voltage operation** allowing the light to operate on any existing **12v AC / 24v AC or 32v AC** power supply.

## NOTE:

The use of DC / Electronic (or switch mode) power supplies is **not** permitted as they can cause disruptions in the lights normal operation & in some cases damage the lights internal electronic components. For more information, please contact Spa Electrics Pty Ltd.

**For safe & proper installation, use only parts (screws, plugs, sealant etc) provided.  
For Multi Colour operation, please refer to the MULITPLUS Operating Manual**



## WARNING

- The GK-Retro Light must be water cooled at all times. DO NOT switch the light on until installation is complete and the light is fully submerged in water.
- Ensure sufficient cable is coiled behind the light to allow for servicing (approx 300-600mm)
- Ensure only circular cable not exceeding 10mm diameter is connected to the GK-Retro Light. The use of Fig. 8 or TPS cable will not seal correctly & will void the product warranty.
- The GK-Retro LED Light does not contain any user serviceable parts, opening the light will void the product warranty.
- When using the 'B' plate for fibreglass installations - ensure that silicon sealant is applied to fixing screws to seal the fibreglass wall.
- The GK-Retro Light is NOT suitable for horizontal mounting.
- Pool chemicals & PH levels: Due to the corrosive nature of unbalanced pool chemicals, Spa Electrics strongly recommend that your pool water is balanced prior to installing your pool Lights or any plastic or stainless steel components, and tested weekly to maintain these levels. pH levels should be maintained between 7.2- 7.6 at all times to ensure the longevity of these components.
  - Failure to do so can result in chemical damage to the light housing and pool fittings, including stainless steel components.
  - Please note: Lights or components found to have excessive chemical damage will not be covered under our manufacturer's warranty policy

# TOOLS REQUIRED

- No. 2 Phillips screwdriver
- Flat-blade screw driver
- Side Cutters / Pliers
- RTV Silicon (Fibreglass Pools Only)



## IMPORTANT

With the exception on step 2 of the “LIGHT INSTALLATION”, All installation steps should be carried out with manual tools only.

The use of power tools (such as 240v and cordless drills) during installation is **not** recommended as these devices can cause faults and damage to light components

# PRODUCT SUPPORT & INFORMATION

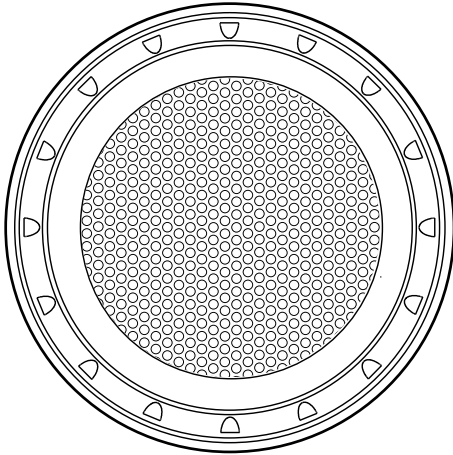
Phone: +61 3 9793 2299 (business hours)

Email: [sales@spaelectrics.com.au](mailto:sales@spaelectrics.com.au) (SALES enquiries)

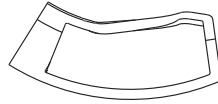
Email: [tech@spaelectrics.com.au](mailto:tech@spaelectrics.com.au) (TECHNICAL support enquiries)

Web: [www.spaelectrics.com.au](http://www.spaelectrics.com.au)

# INCLUDED PARTS



1 X GKRX LIGHT



4 X CABLE GLANDS



4 X SCREW 1" X 8



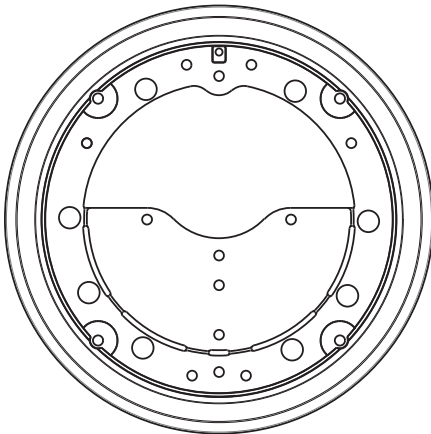
4 X SCREW M4 X 12P



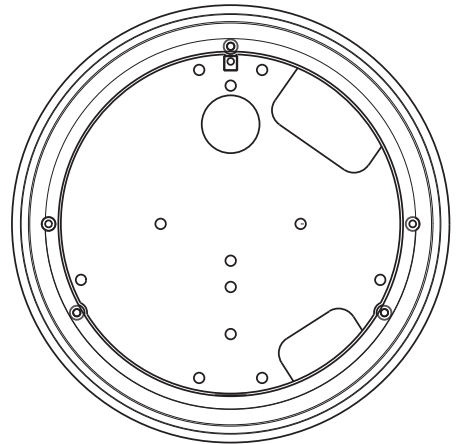
4 X SCREW 1 1/4" X 8



1 X CABLE SEAL KIT



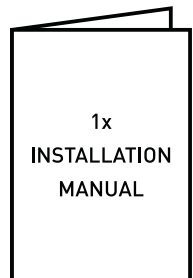
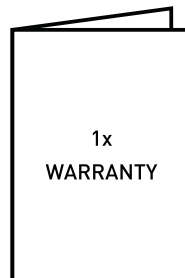
RETRO PLATE 'A'



RETRO PLATE 'B'

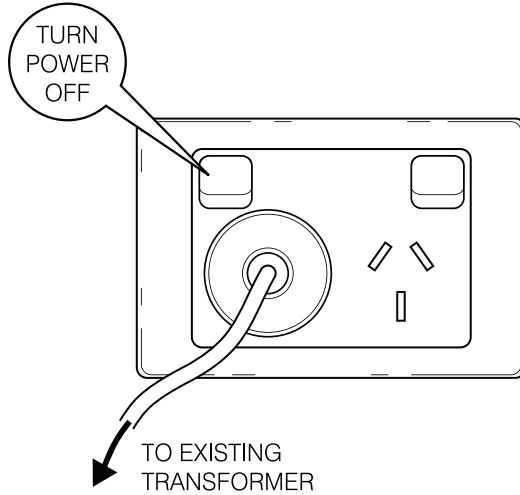
## ALSO INCLUDED

STAINLESS STEEL (316)  
MOUNTING SCREW KIT



# BEFORE YOU START

## 1 ISOLATE POOL LIGHTS



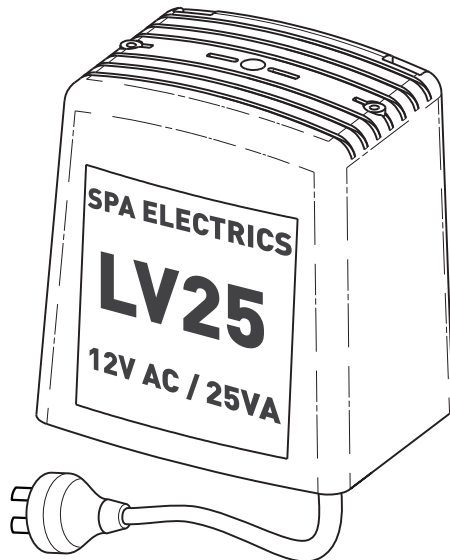
## 2 CHECK TRANSFORMER

EXISTING TRANSFORMER  
MUST BE:

- 12V~32V AC ONLY
- MIN. 15 WATT (PER LIGHT)
- IN GOOD WORKING ORDER

EXISTING TRANSFORMER  
MUST **NOT** BE:

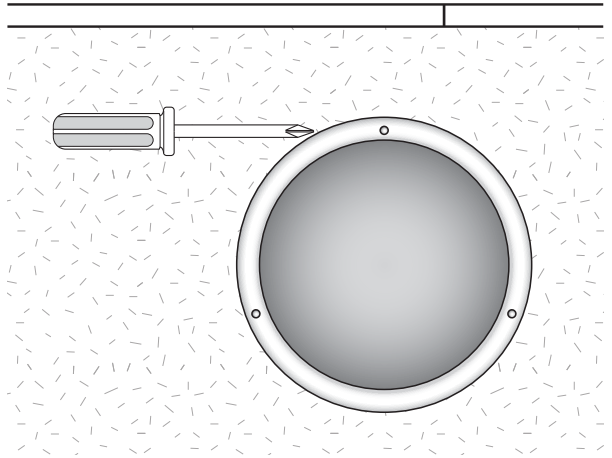
- DC OR 'LED DRIVER'
- ELECTRONIC OR SWITCH MODE
- WEATHER DAMAGED OR IN OTHERWISE POOR CONDITION



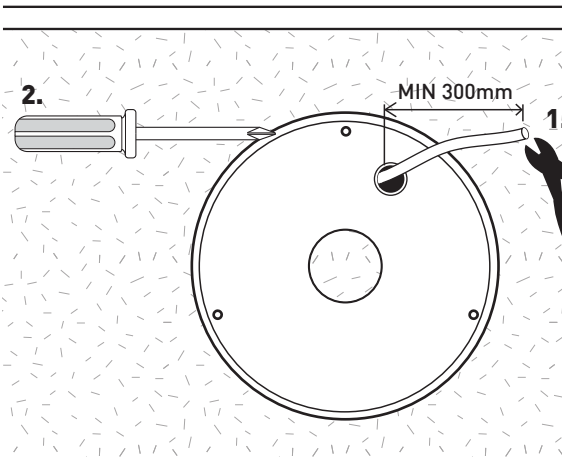
# REMOVAL OF EXISTING LIGHT

## 1 REMOVE EXISTING LIGHT

1. REMOVE EXISTING POOL LIGHT FROM POOL WALL.



## 2 REMOVE EXISTING BRACKET



1. DISCONNECT CABLE TO POOL LIGHT, LEAVING AS MUCH EXCESS CABLE AS POSSIBLE.

2. REMOVE EXISTING BRACKET FROM POOL WALL.



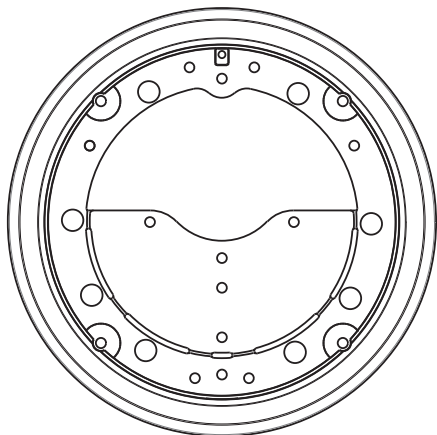
### IMPORTANT

DO NOT REMOVE CABLE GLAND FROM FIBREGLASS OR VINYL POOLS.

# LIGHT INSTALLATION

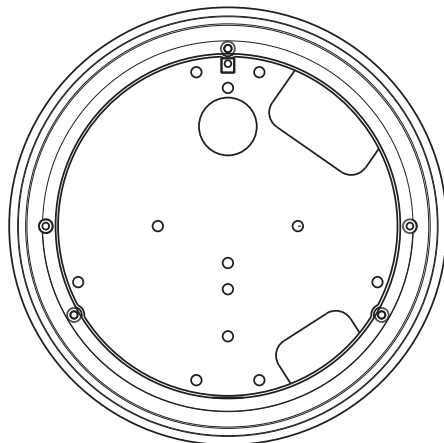
ENSURE SYSTEM IS TURNED OFF & ISOLATED PRIOR TO INSTALLING LIGHT FITTING.

## 1 SELECT CORRECT BRACKET



RETRO PLATE 'A'

CONCRETE INSTALLATIONS



RETRO PLATE 'B'

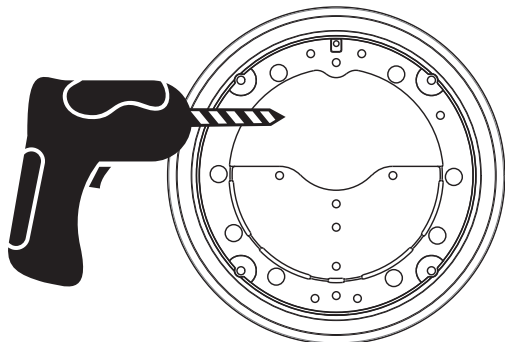
FIBREGLASS/VINYL INSTALLATIONS

USING THE INFORMATION IN STEP 3 SELECT THE APPROPRIATE RETRO BRACKET FOR YOUR INSTALLATION.

## 2 BRACKET MODIFICATION

IN MOST CASES THE PRE MADE MOUNTING HOLES WILL ALIGN WITH MAJOR BRAND POOL LIGHTS.

HOWEVER IF REQUIRED, IT IS PERMISSIBLE TO DRILL NEW HOLES IN THE RETRO PLATES IN ORDER TO MOUNT TO EXISTING POSITIONS.





# 3

## EXISTING LIGHT IDENTIFICATION

### AUTUMN SOLAR SLIM 180

\* Also suitable for Magic / Questa / Waterlinx / Pantera light



POOL	PLATE	REMOVE TABS
TILED	[A]	-
RENDERED	[B]	-
FIBREGLASS	[B]	D
VINYL	(N/A)	(N/A)

PLATE 'A'

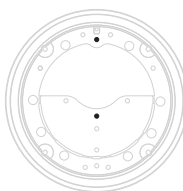


PLATE 'B'



### AQUAQUIP QC SERIES



POOL	PLATE	REMOVE TABS
TILED	[A]	(N/A)
RENDERED	[B]	-
FIBREGLASS	[B]	-
VINYL	(N/A)	(N/A)

PLATE 'A'

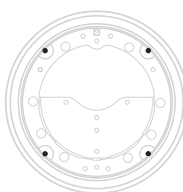
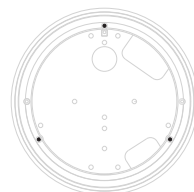


PLATE 'B'



### FILTRITE PAR 56



POOL	PLATE	REMOVE TABS
TILED	[B]	-
RENDERED	[B]	-
FIBREGLASS	[B]	-
VINYL	[B]	-

GK6710

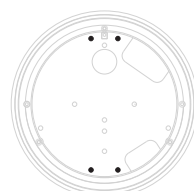


PLATE 'B'

### POOLRITE TRIMLITE



POOL	PLATE	REMOVE TABS
TILED	[A]	-
RENDERED	[B]	-
FIBREGLASS	[B]	D, E, F, G, H, J, K
VINYL	(N/A)	(N/A)

PLATE 'A'

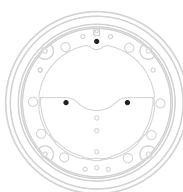
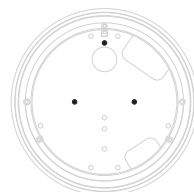


PLATE 'B'



### SPA ELECTRICS SE3M



POOL	PLATE	REMOVE TABS
TILED	[A]	-
RENDERED	[B]	-
FIBREGLASS	[B]	D
VINYL	[B]	-

PLATE 'A'

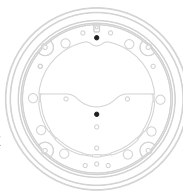
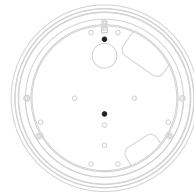


PLATE 'B'



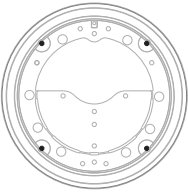
\* Note: SE3 Lights with suction outlet cannot be replaced with the GKRX model due to suction installation standards. For more information contact Spa Electrics.

# 3

## EXISTING LIGHT IDENTIFICATION CONT.

### STROUD C150

PLATE 'A'



POOL	PLATE	REMOVE TABS
TILED	[A]	-
RENDERED	[A]	-
FIBREGLASS	[A]	-
VINYL	[N/A]	[N/A]

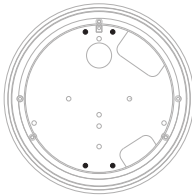


### STROUD SM400

GK6710



PLATE 'B'

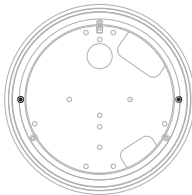


POOL	PLATE	REMOVE TABS
TILED	[B]	-
RENDERED	[B]	-
FIBREGLASS	[B]	-
VINYL	[N/A]	[N/A]



### SWIMWORLD POOL LIGHT

PLATE 'B'



POOL	PLATE	REMOVE TABS
TILED	[B]	-
RENDERED	[B]	-
FIBREGLASS	[B]	-
VINYL	[N/A]	[N/A]



### WATERCO LITESTREAM

PLATE 'A'

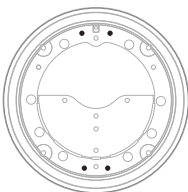
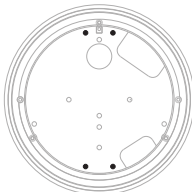
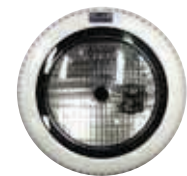


PLATE 'B'



\* Also suitable for Britestream LED model

POOL	PLATE	REMOVE TABS
TILED	[A]	-
RENDERED	[B]	-
FIBREGLASS	[B]	E,G,H
VINYL	[B]	-



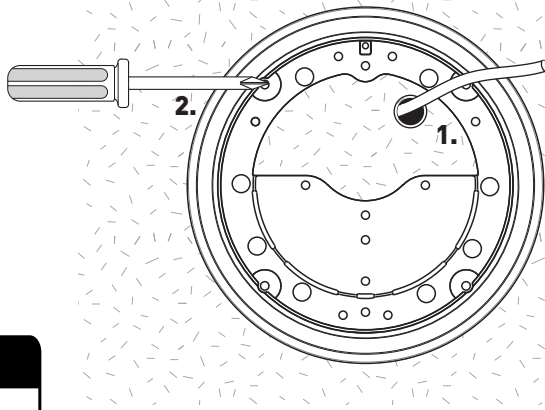
## IMPORTANT

THESE MOUNTING LOCATIONS ARE PROVIDED AS A GUIDE ONLY. IN SOME CASES MOUNTING LOCATIONS CAN VARY FROM THE DESIGNATED POSITIONS. IN THESE INSTANCES DRILLING NEW MOUNTING HOLES MAY BE REQUIRED. **SEE STEP 2 FOR DETAILS**

# 4

## INSTALLING RETRO BRACKET

1. FEED POOL LIGHT CABLE THROUGH SUITABLE LOCATION ON RETRO BRACKET
2. AFFIX BRACKET TO EXISTING MOUNTING LOCATIONS USING STAINLESS STEEL SCREW KIT PROVIDED.



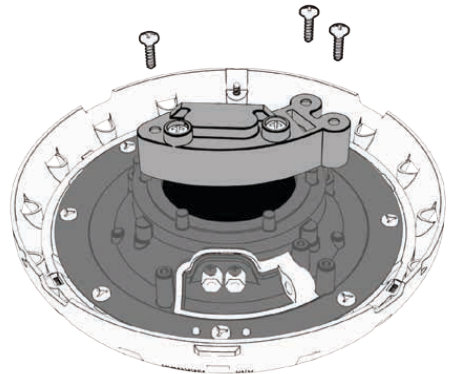
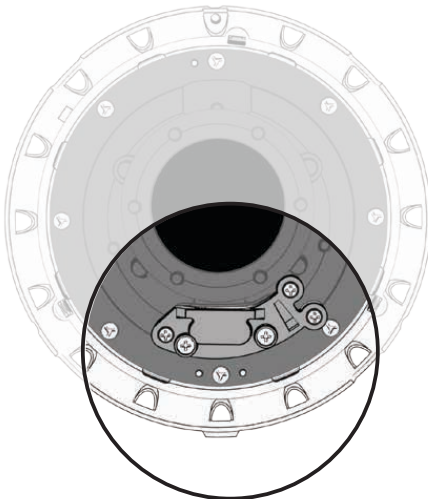
### NOTE

FOR FIBREGLASS POOLS, APPLY RTV SILICONE TO MOUNTING SCREW THREADS

# 5

## CONNECTING CABLE TO LIGHT

REMOVE TERMINAL COVER



USING A #2 PHILIPS SCREW DRIVER REMOVE THE 3 FIXING SCREWS AND TERMINAL COVER TO REVEAL THE TERMINAL CONNECTION.

# 6

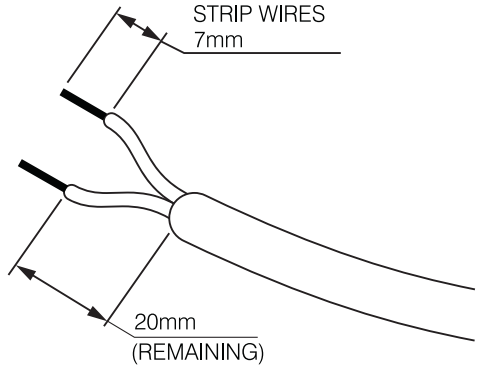
## CABLE PREPARATION

STRIP POOL LIGHT CABLE TO SPECIFIED LENGTH.



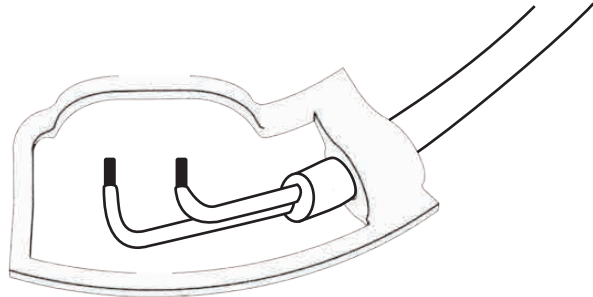
### NOTE

IF CABLE LENGTH ALLOWS, CUT CABLE BACK UNTIL FRESH COPPER APPEARS.



SELECT AN APPROPRIATE CABLE GLAND BY TESTING EACH GLAND ON THE EXISTING CABLE.

THE FITMENT SHOULD BE FIRM OVER THE CABLE WITHOUT BULGING OR DEFORMING THE GLAND.



# 7

## ATTACH CABLE TO LIGHT

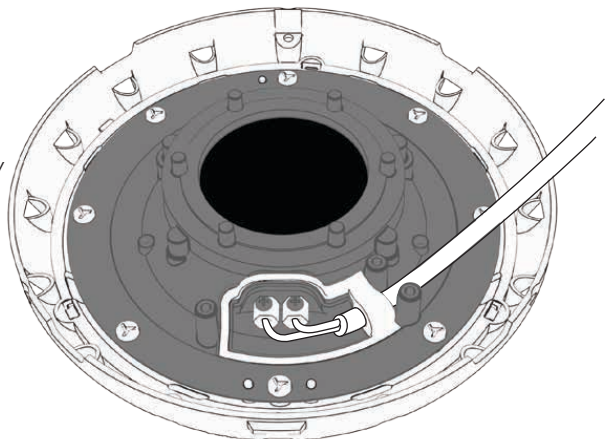
ATTACH WIRES TO TERMINALS ON REAR OF LIGHT, USING A FLAT BLADE SCREWDRIVER.

ENSURE GLAND IS CORRECTLY SEATED AND NOT TWISTED.



### NOTE

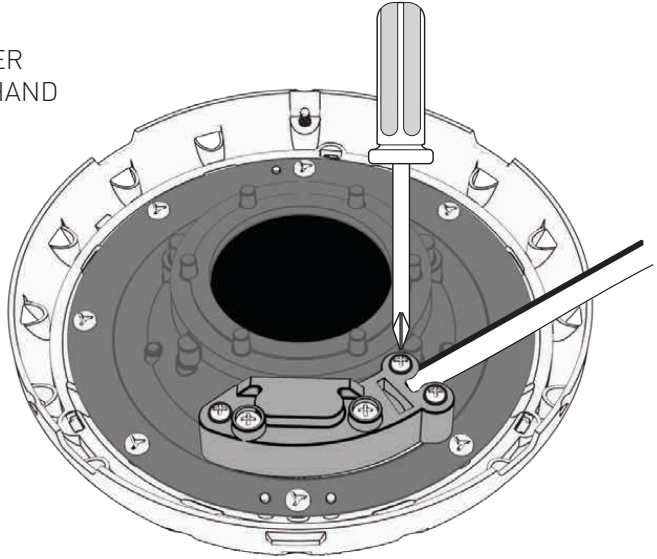
AS THE LIGHTS OPERATE ON AC VOLTAGE THERE IS NO POLARITY.



# 8

## ATTACH CABLE TO LIGHT CONT.

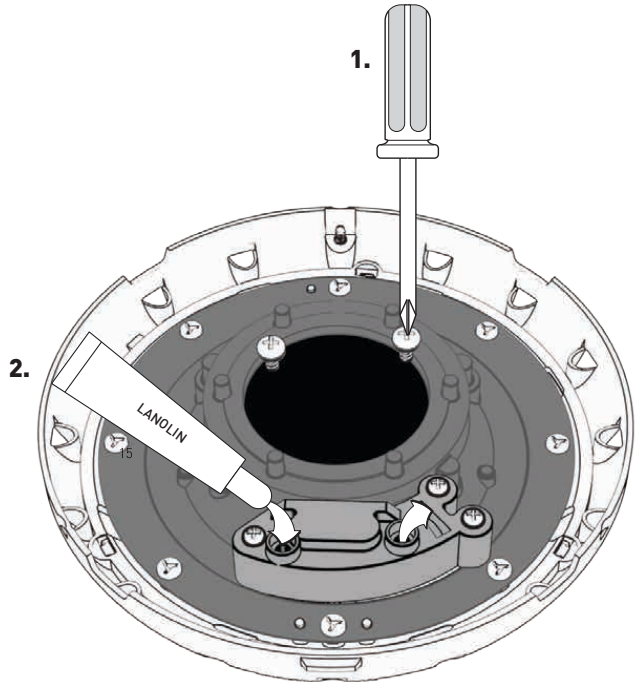
REPLACE TERMINAL COVER  
AND SECURE FIRMLY BY HAND  
ONLY.



# 9

## INJECT LANOLIN GREASE

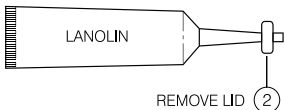
1. REMOVE 2 X FILLER SCREWS & O'RING SEALS.
2. INJECT LANOLIN INTO LEFT FILLER HOLE UNTIL VISIBLE IN RIGHT FILLER HOLE.
3. REPLACE THE O'RING SEALS AND SCREWS IN THE FILLER HOLES. ENSURE NOT TO OVER TIGHTEN



### LANOLIN USE



- 1 GENTLY WARM LANOLIN TUBE

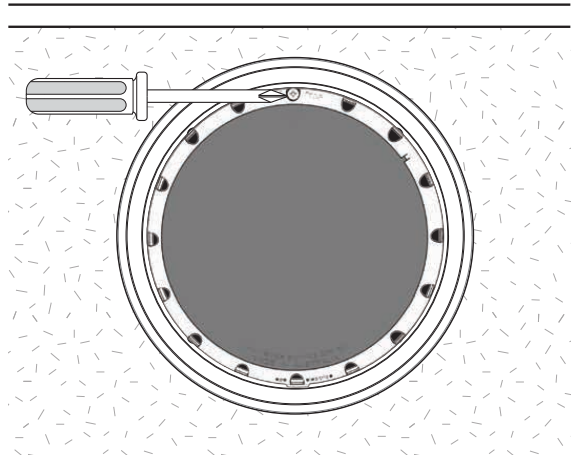


## 10 ATTACH LIGHT TO BRACKET

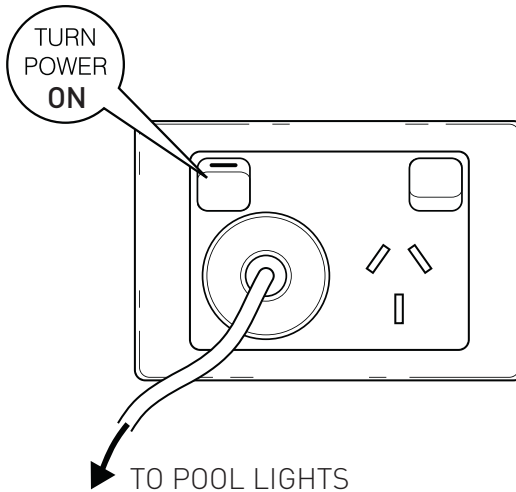
COIL EXCESS CABLE BEHIND  
POOL LIGHT

ATTACH LIGHT TO BRACKET  
BY INSERTING TAB AT BASE  
OF LIGHT INTO BRACKET  
AND INSERTING M4 X 12P  
SCREW.

TIGHTEN GENTLY BY HAND  
ONLY.



## 11 TEST SYSTEM



# TRI-COLOUR OPERATION

TRI-Colour light models provide a choice of 3 exciting fixed colours at the flick of a switch!

## COLOURS AVAILABLE:

1. Electric **Blue**
2. 4000k **White**
3. Lagoon **Green**

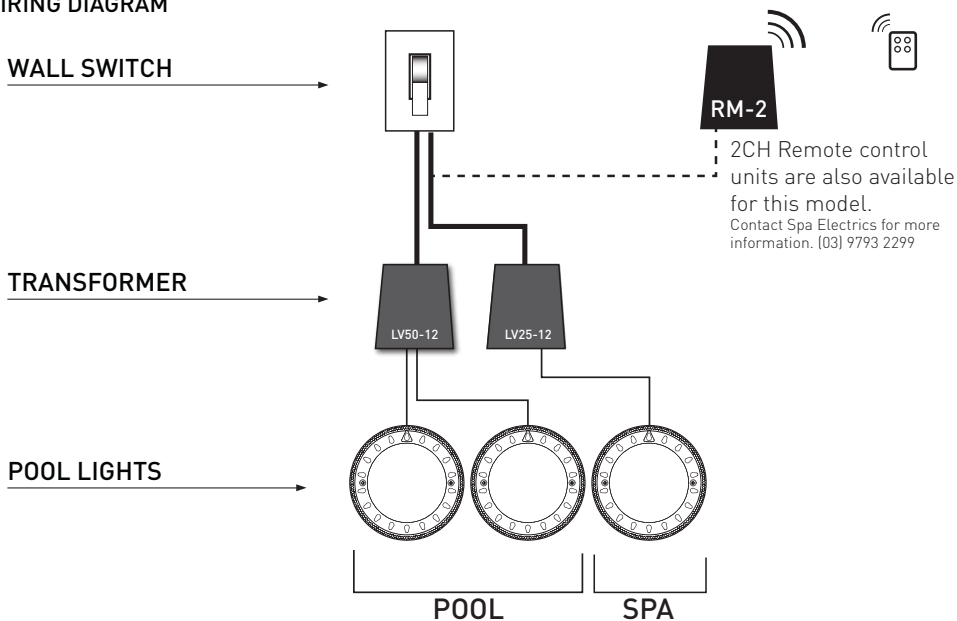
## OPERATING INSTRUCTIONS

1. To change the color of the light, simply turn your light **OFF** for **2** seconds and then turn it back **ON**. This will signal the light to proceed to the next colour. Colours will display in the order above, to select a desired colour, simply step through the colours until you find your desired selection.
2. Your lights will automatically save your selected colour once the power has been turned **OFF** for more than **1** minute so the next time the lights are used, they will illuminate on the last colour selected.
3. To reset or '**synchronize**' your lights; with the power turned **ON**, turn the power **OFF/ON** once rapidly. This will put the lights into **RESET** mode (flashing **BLUE**), once this occurs turn the power **OFF**, wait **2** seconds & turn the power **ON**. Your lights should now be synchronized.

## SYNCHRONIZED INSTALLATION

When installing multiple lights; to ensure synchronization and ease of operation all Lights must operate from a single switch.

## WIRING DIAGRAM





© COPYRIGHT 2018 SPA ELECTRICS PTY. LTD.  
ALL RIGHTS RESERVED

20180108