

READ THIS FIRST

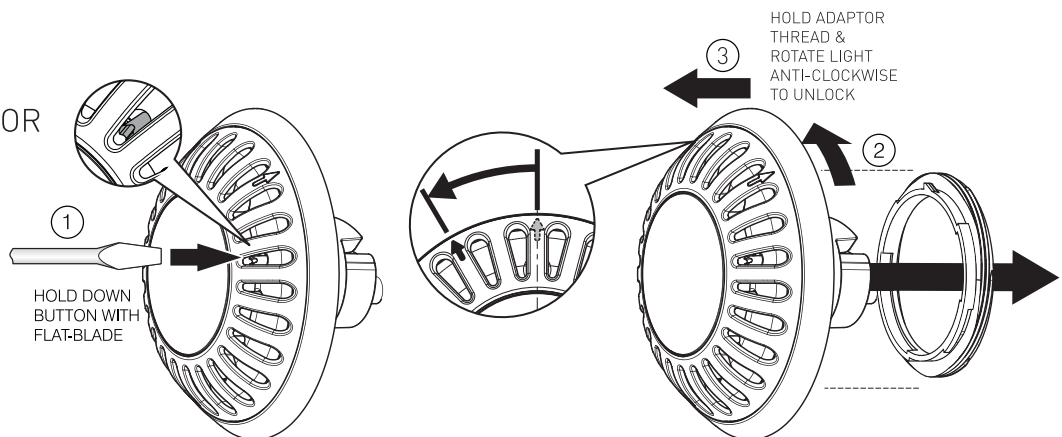
BEFORE YOU START

- Ensure pool lights are turned off and system is isolated.
 - Confirm existing transformer is a **12v AC ONLY**, magnetic type safety isolating transformer and is in good working order (if in doubt contact Spa Electrics or your preferred registered electrician).
 - Installation of the EMRX Light requires connection to a **low voltage circuit (12v AC) ONLY**. No work should be carried out on mains voltage (240v) systems unless done so by a registered electrician in accordance with AS/NZS 3000:2007 (current amendment) standards.
 - For safe and proper installation, ensure that only those parts supplied with the system are used.
 - Check that there is enough cable behind the existing light to allow for cable connection above water. If enough cable is not available, water level must be lowered to connect EMRX light.
 - Ensure pool light cable is circular and free of damage or imperfections i.e. cuts, cracks or deformation. If possible, trim cable back until a fresh end of cable is available.
 - This manual is to be used in conjunction with the supplied EMRX installation manual.
- For any further information please contact Spa Electrics (03) 9793 2299

INSTALLATION

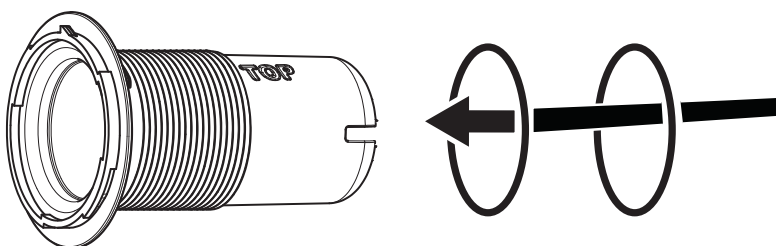
1 LIGHT PREPARATION

- 1** REMOVE ADAPTOR THREAD FROM EMRX LIGHT



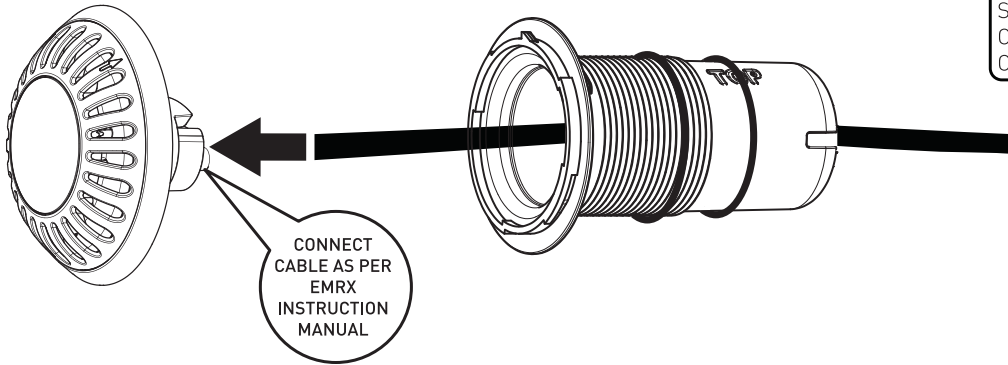
2 ADAPTOR INSTALLATION

- 1** PLACE THE 2x O'RINGS SUPPLIED MID-WAY OVER THE NICHE.

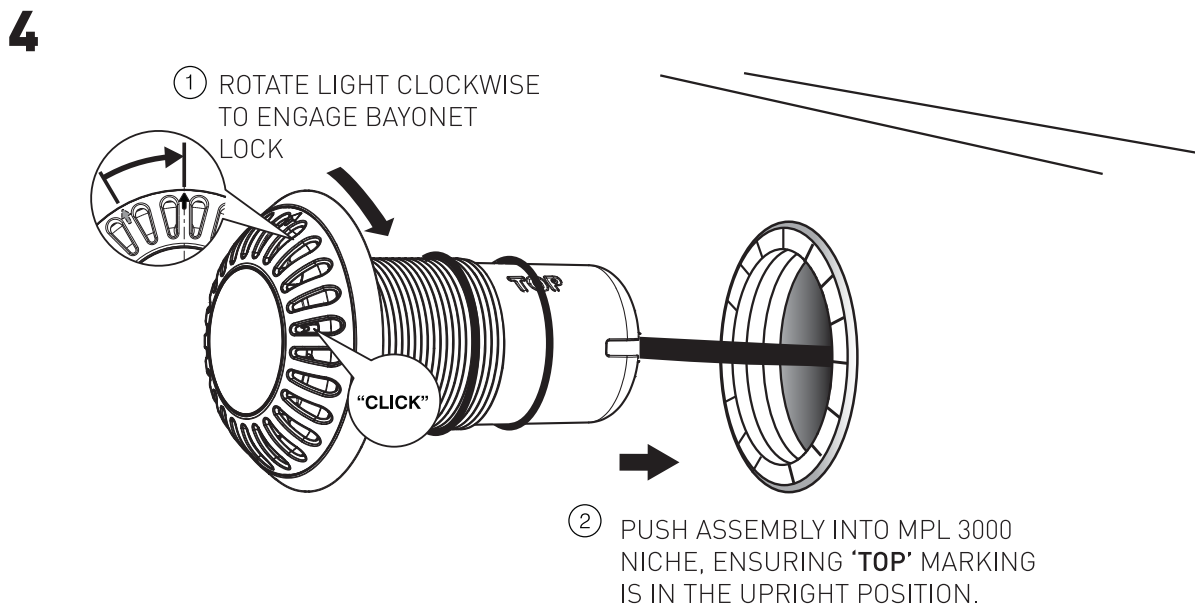
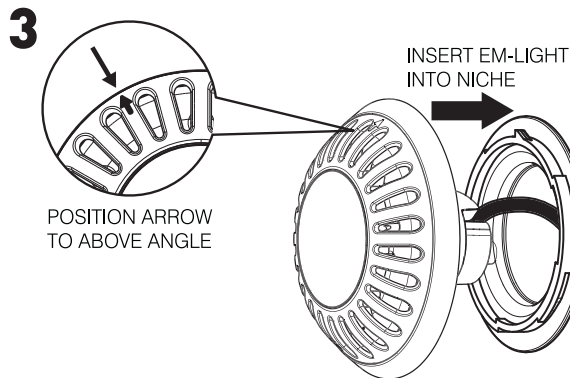


INSTALLATION CONT.

2 FEED EXISTING CABLE THROUGH NICHE AND CONNECT TO EMRX LIGHT



! IMPORTANT
GREY CABLE GLAND SHOULD BE USED TO CONNECT EXISTING CABLE TO EMRX LIGHT



5 TURN ON & ENJOY