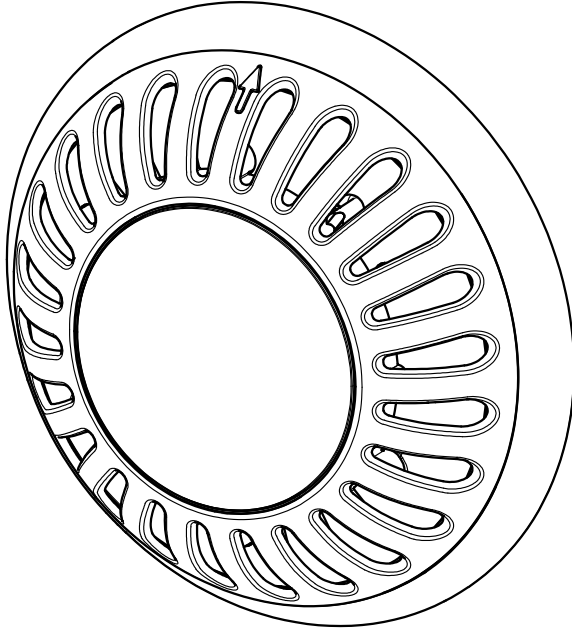


# INSTALLATION & OWNER'S MANUAL

ULTRA COMPACT NICHE LIGHT



## EMRX

FOR RETRO-FITTING EXISTING POOLS

STORE THIS MANUAL IN A SAFE  
PLACE FOR FUTURE REFERENCE

atom  
EM SERIES



# CONTENTS

READ THIS FIRST	3
TOOLS REQUIRED	4
IMPORTANT NOTE	4
PRODUCT SUPPORT AND INFORMATION	4
INCLUDED PARTS	5
ASSEMBLY (STEPS 1-19)	6
INSTALL EMRX TO NICHE	17

# READ THIS FIRST!

This booklet contains important information about the correct installation and handling of EM-series lights. **Please read this booklet carefully** before commencing installation to familiarise yourself with the included parts, accessories and correct installation procedures.

## BEFORE YOU START

- Ensure that the lighting system is installed by a suitably qualified persons (e.g. registered pool builder and/or qualified electrician), in accordance with AS/NZS 3000:2007 standards.
- For safe and proper installation, ensure that only those parts supplied with the system are used.
- Check that there is enough cable behind the existing light to allow for servicing above water, preferably at *ground-level pool-side*.
- Ensure the pool light end of cable is circular and free of damage or imperfections i.e. cuts, cracks or deformation. *If possible, trim cable back until a fresh end of cable is available.*
- Confirm existing transformer is a magnetic type, **12V AC ONLY** and in good working order (If in doubt contact Spa Electrics.)
- The EM series light can be mounted at any angle provided the installation conforms to the above.

## CLEANING

- Only use warm water and a soft brush or cloth to clean EM-series lights. DO NOT use detergents or spirits as this can damage the light and void your warranty.

## USE

- Do not operate light unless completely submerged in water.
- Operating the light for at least 15 minutes every week is advised (all year round).
- EM-series lights are designed for continuous (24/7) operation.
- EM-series lights are suited for both domestic and commercial installations.

## WARNING

- The EM series light must only be powered by a **12V AC** magnetic-type transformer.
- DO NOT use electronic or switch-mode transformers with EM-series lights. These transformers will damage the light and void your product warranty.
- **Pool chemicals & PH levels:** Due to the corrosive nature of unbalanced pool chemicals, Spa Electrics strongly recommend that your pool water is balanced prior to installing your pool lights or any plastic or stainless steel components, and tested weekly to maintain these levels. pH levels should be maintained between 7.2 – 7.6 at all times to ensure the longevity of these components.
  - > Failure to do so can result in chemical damage to the light housing and pool fittings, including stainless steel components.
  - > **Please note:** Lights or components found to have excessive chemical damage will not be covered under our manufacturer's warranty policy

This light contains no user-serviceable parts; opening the light will void the product warranty.

# TOOLS REQUIRED

## MODEL: EMRX

- > Flat-blade screw-driver
- > Phillips head (No 2) screw-driver
- > Cable stripper
- > Pliers

## IMPORTANT NOTE (1):

The use of power tools (such as 240V and cordless drills) during installation is **not** recommended as these devices can cause faults and damage to light components.

All EMRX installation steps should be carried out with manual tools only.

## IMPORTANT NOTE (2):

Before commencing retro-fit installation of an EMRX Light you must ensure that all connected transformers are **12V AC magnetic-type only**.

If in doubt, contact Spa Electrics.

## PRODUCT SUPPORT AND INFORMATION:

Phone: +61 3 9793 2299 (business hours)

Email: [info@spaelectrics.com.au](mailto:info@spaelectrics.com.au) (SALES enquiries)

Email: [tech@spaelectrics.com.au](mailto:tech@spaelectrics.com.au) (TECHNICAL support enquiries)

Web: [www.spaelectrics.com.au](http://www.spaelectrics.com.au)

# INCLUDED PARTS

MODEL: EMRX

CABLE GLANDS

BLUE

GREY

GREEN



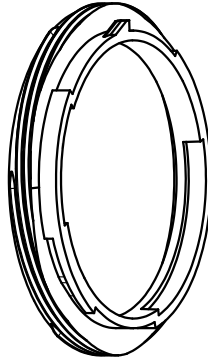
1x



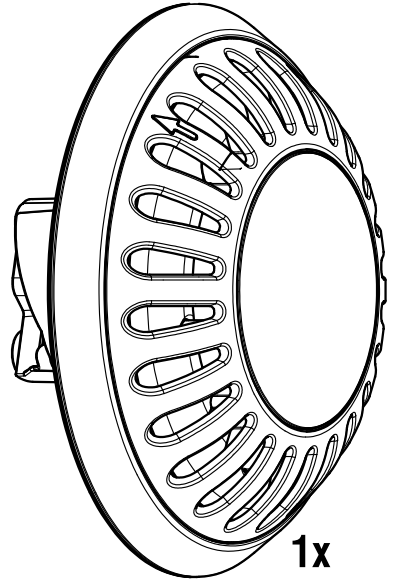
1x



1x

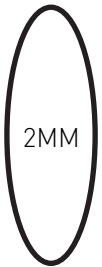


1x



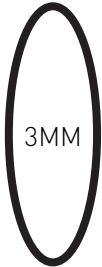
1x

NICHE ADAPTORS (O-RINGS)



2MM

2x



3MM

2x



4MM

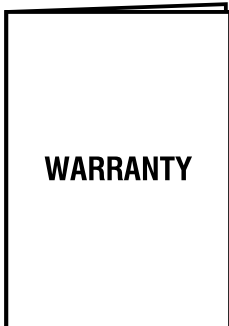
2x

EMRX 12



LANOLIN

1x



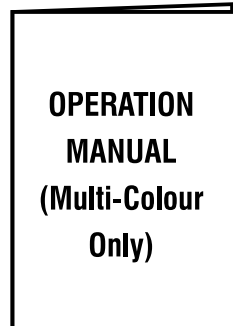
WARRANTY

1x



INSTALLATION  
MANUAL

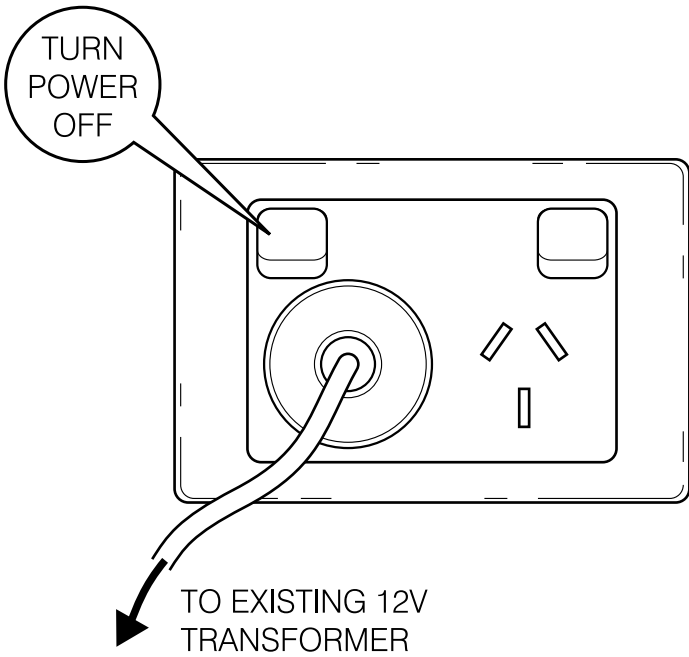
1x



OPERATION  
MANUAL  
(Multi-Colour  
Only)

1x

# 1



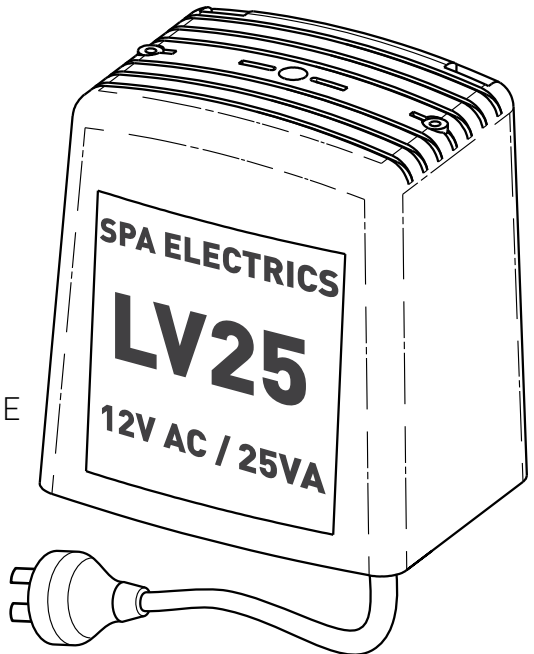
## 2 CHECK TRANSFORMER

EXISTING TRANSFORMER  
MUST BE:

- 12V AC ONLY
- MIN. 15 WATT (PER LIGHT)
- IN GOOD WORKING ORDER

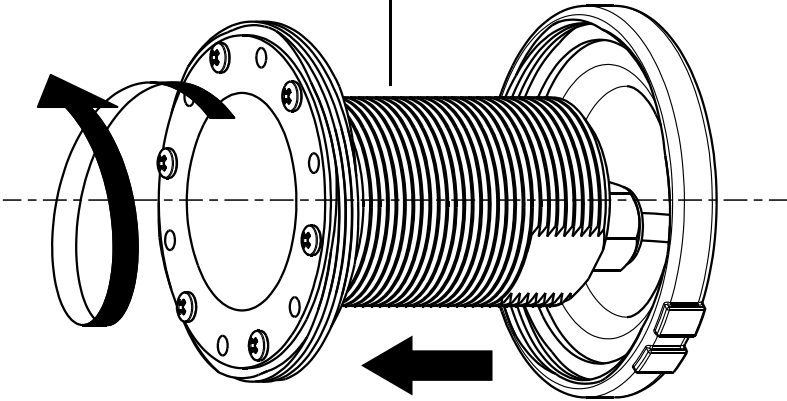
EXISTING TRANSFORMER  
MUST **NOT** BE:

- DC OR 'LED DRIVER'
- ELECTRONIC OR SWITCH MODE
- WEATHER DAMAGED OR IN OTHERWISE POOR CONDITION



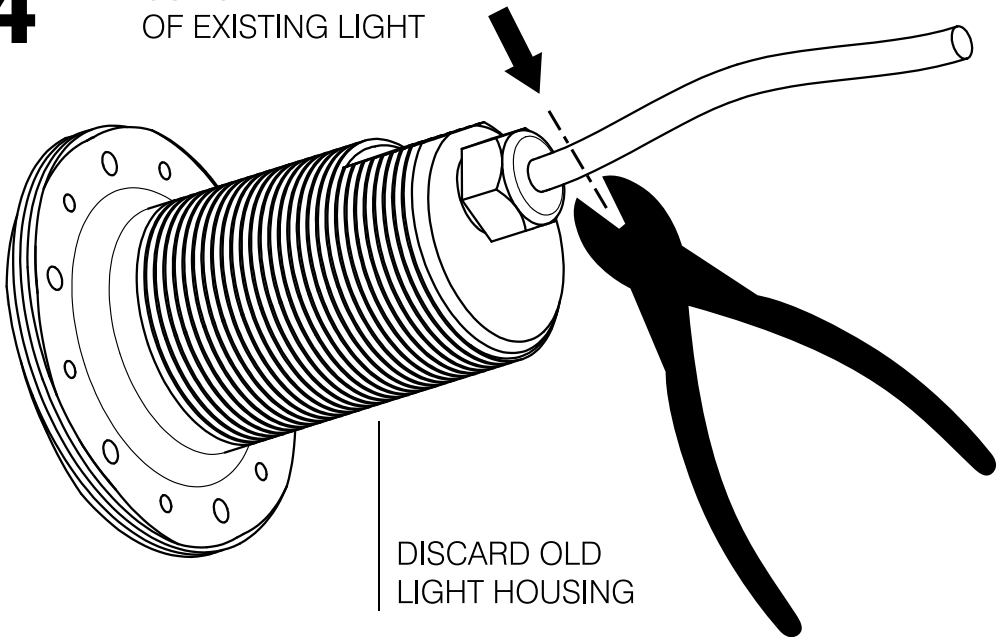
**3**

REMOVE EXISTING LIGHT  
FROM NICHE.



**4**

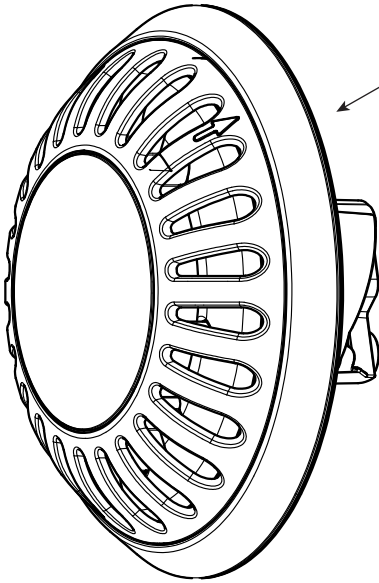
CUT CABLE AT REAR  
OF EXISTING LIGHT





# 5

## FIT SUITABLE ADAPTOR TO EMRX

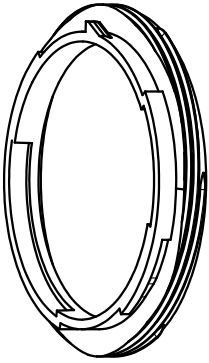


### NOTE

CLIP-ON SKIRT CAN BE REMOVED FOR A FLUSH FINISH (INSTALLATION PERMITTING)

AFFIX TO REAR OF EMRX

PAL ADAPTOR



PAL 2000 (C/F)

PAL TOUCH\* (C/F)

\*REQUIRES 12V AC TRANSFORMER.

2mm O-RING



AUTUMN SOLAR NICHE (C) (2X O-RING)

AUTUMN SOLAR NICHE (F) (2X O-RING)

W/CO BRITESTREAM 165 (F) (1X O-RING)

3mm O-RING



AQUA DE LIGHT (F) (2X O-RING)

AQUAQUIP EVO 2 (F)\* (1X O-RING)

\*CUT 3 SLOTS IN THE EMRX CLIP-ON SKIRT FOR A FLUSH FINISH

4mm O-RING

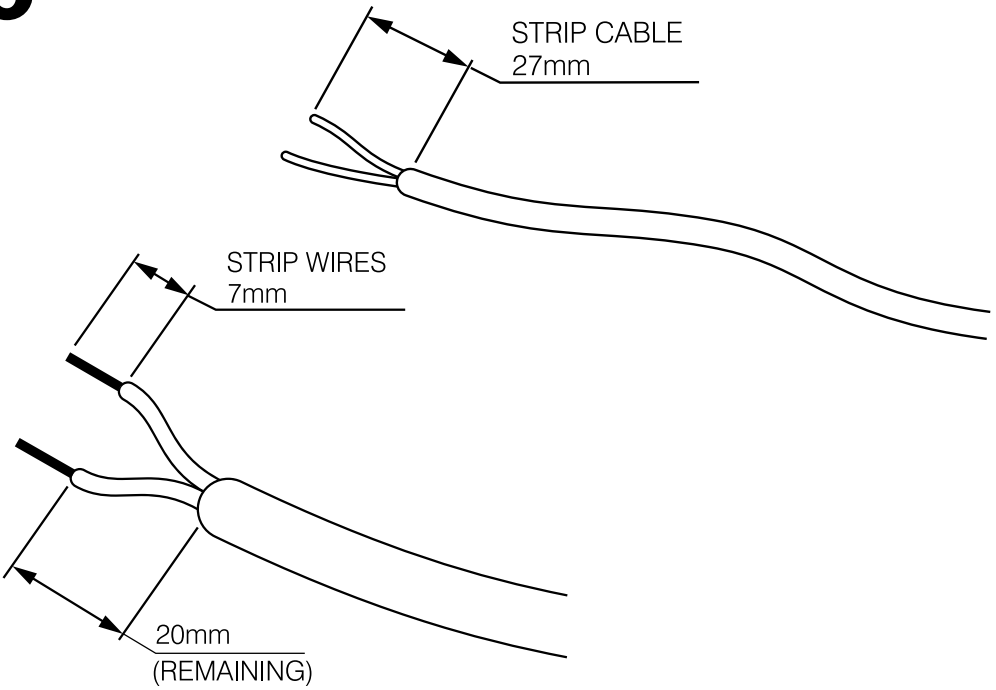


AQUA DE LIGHT (C) (2X O-RING)

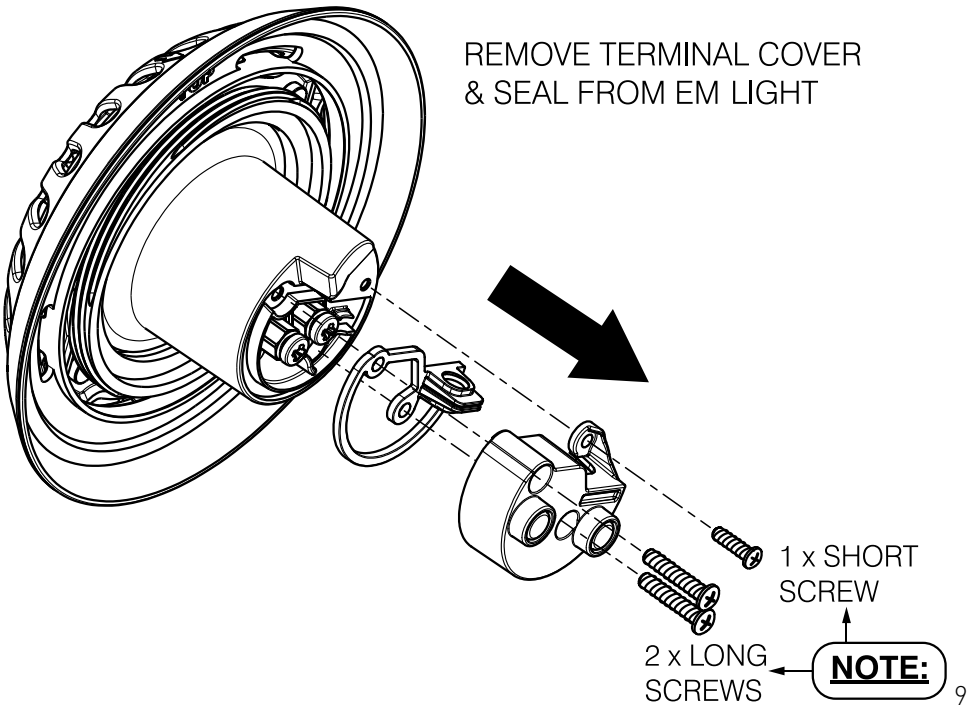
50MM PVC PIPE (C) (2X O-RING)

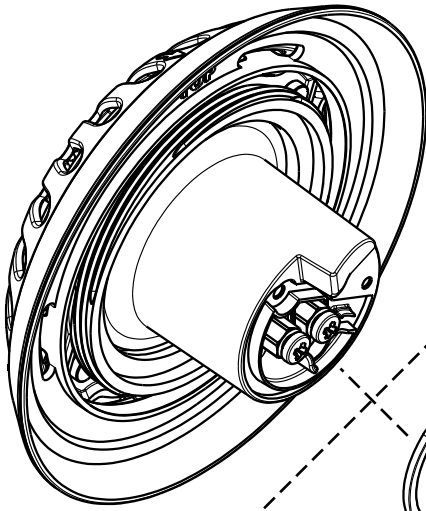
**(C)** CONCRETE INSTALLATIONS  
**(F)** FIBREGLASS INSTALLATIONS

# 6 STRIP WIRES

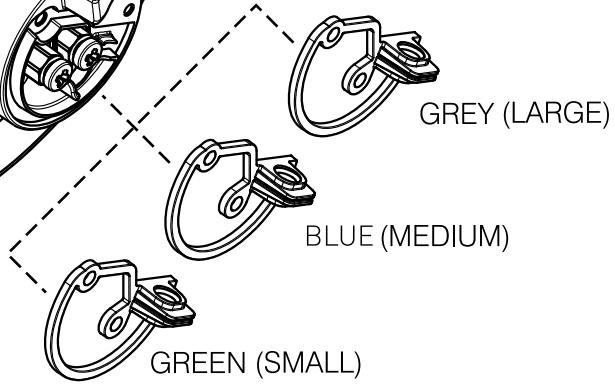


# 7





SELECT APPROPRIATE  
TERMINAL COVER SEAL  
(ENSURE SNUG FIT  
OVER CABLE)

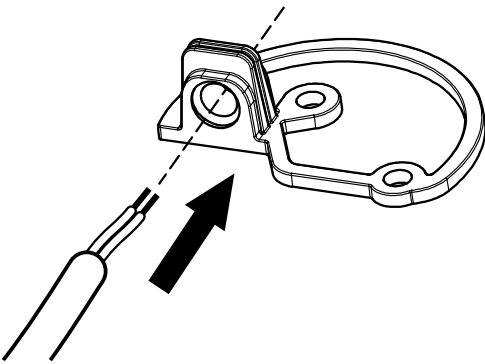


GREY (LARGE)

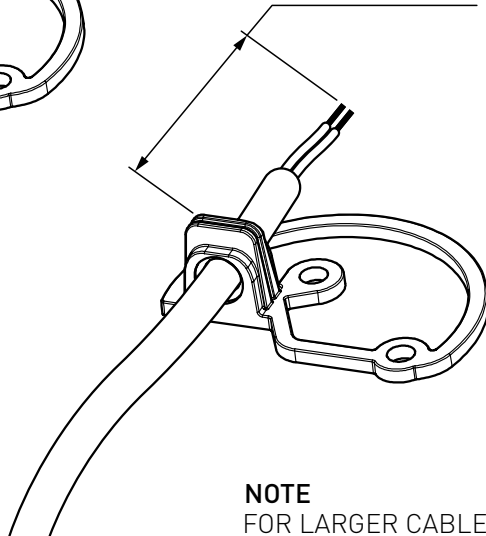
BLUE (MEDIUM)

GREEN (SMALL)

ATTACH SEAL  
TO CABLE



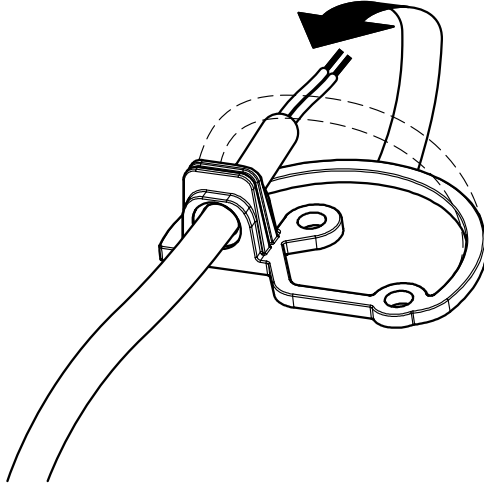
PULL THROUGH  
APPROXIMATELY  
40mm



**NOTE**

FOR LARGER CABLES A CABLE  
JOIN MAY BE REQUIRED.  
CONTACT SPA ELECTRICS FOR MORE  
INFORMATION.

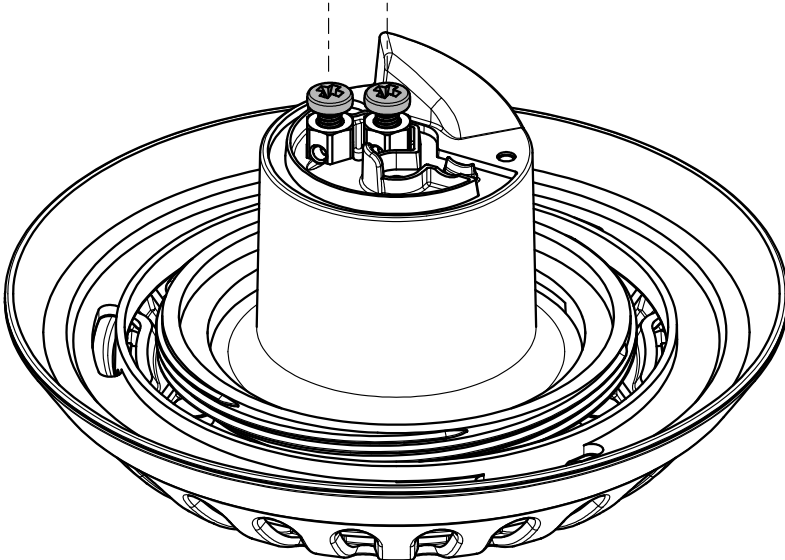
# 9 FOLD SEAL OVER CABLE



# 10

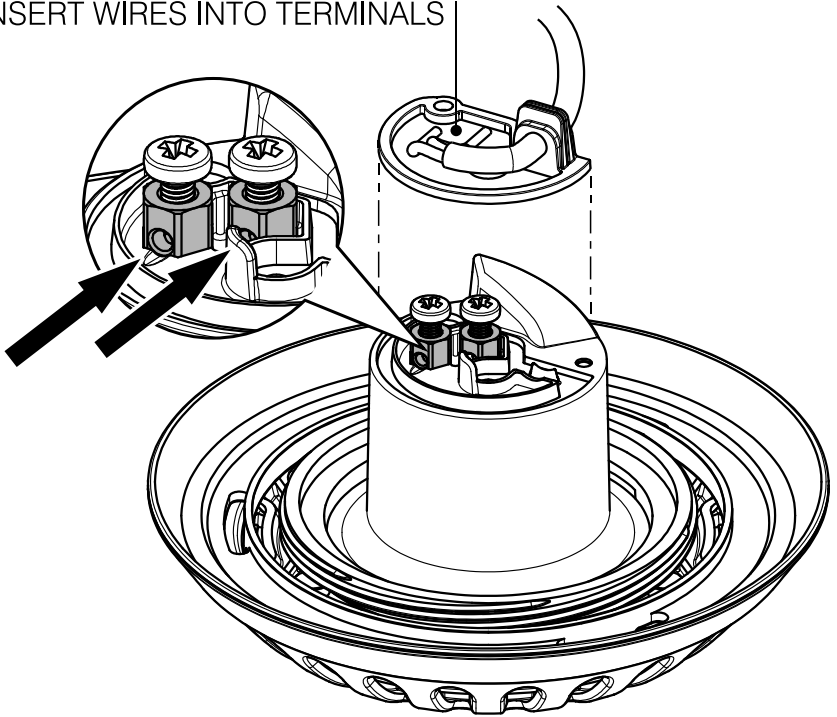


LOOSEN TERMINAL FASTENERS  
(DO NOT REMOVE)



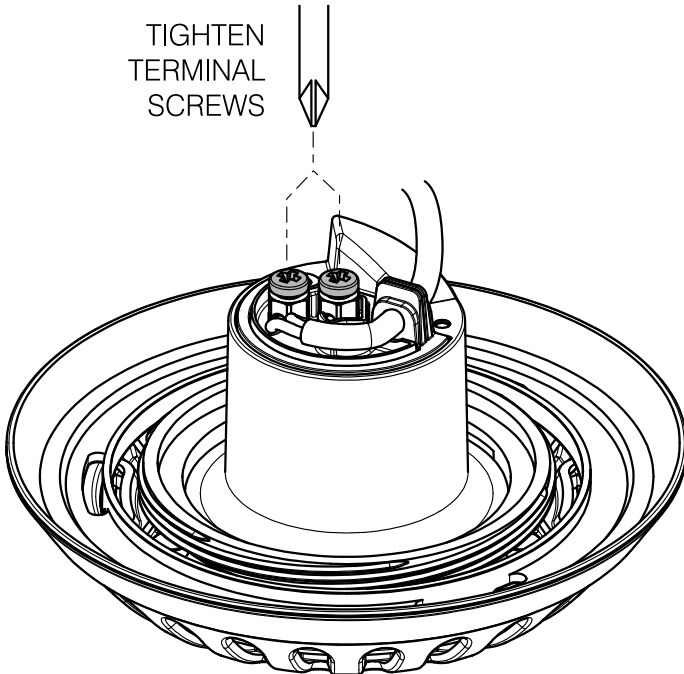
# 11

INSERT WIRES INTO TERMINALS



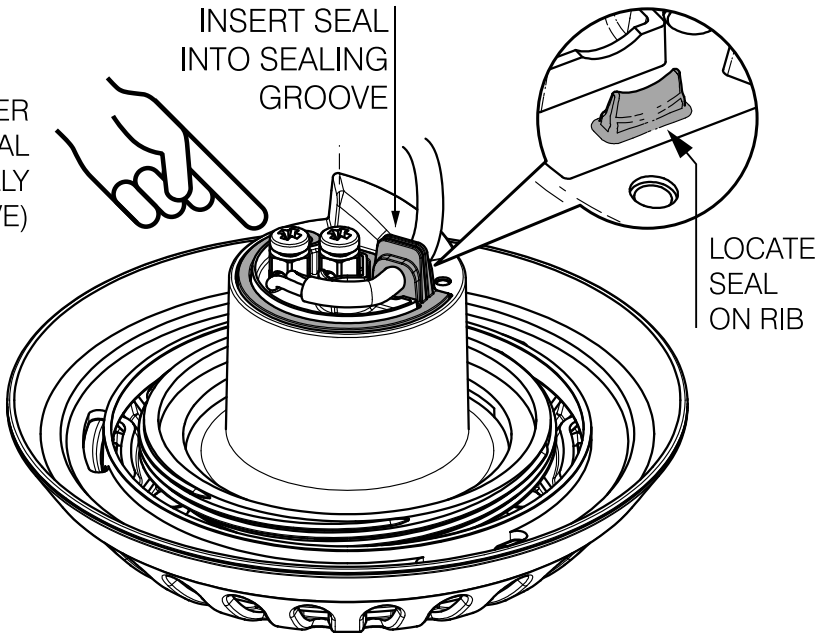
# 12

TIGHTEN  
TERMINAL  
SCREWS



# 13

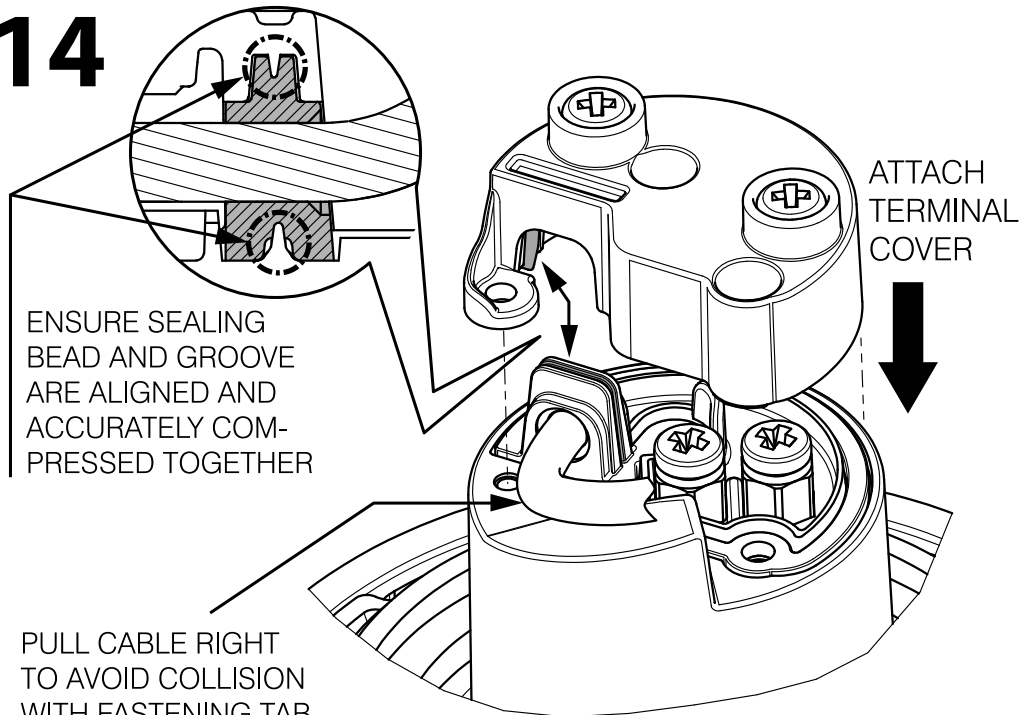
(RUN FINGER AROUND SEAL TO SEAT FULLY WITHIN GROOVE)



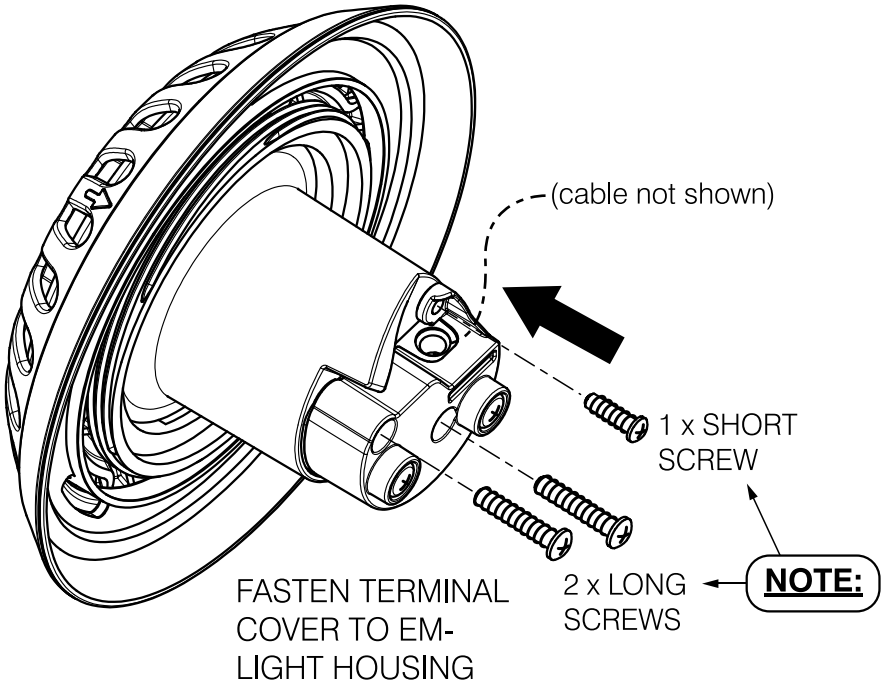
# 14

ENSURE SEALING BEAD AND GROOVE ARE ALIGNED AND ACCURATELY COMPRESSED TOGETHER

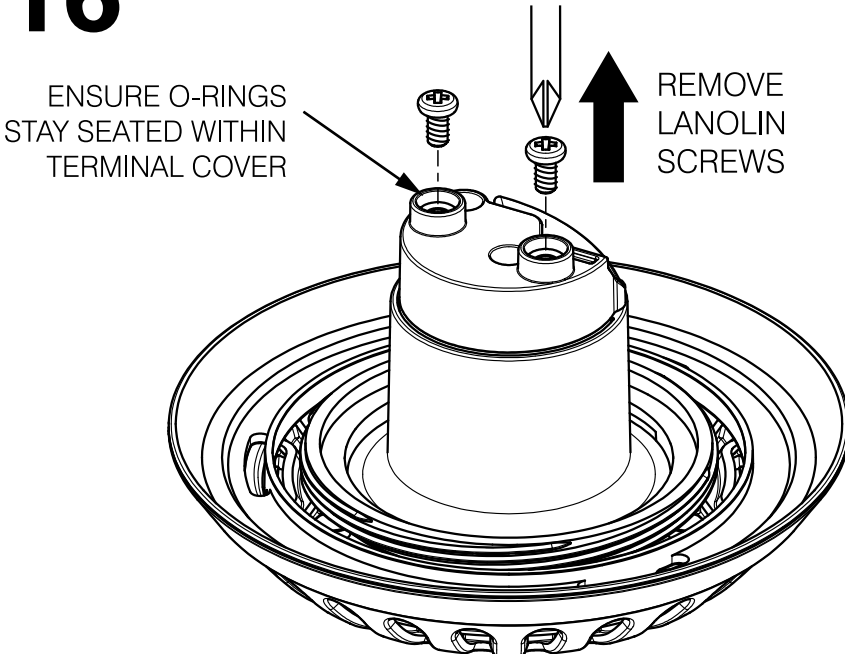
PULL CABLE RIGHT TO AVOID COLLISION WITH FASTENING TAB



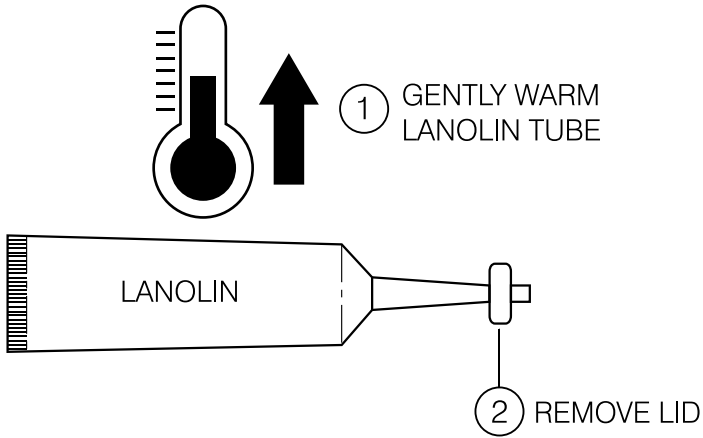
# 15



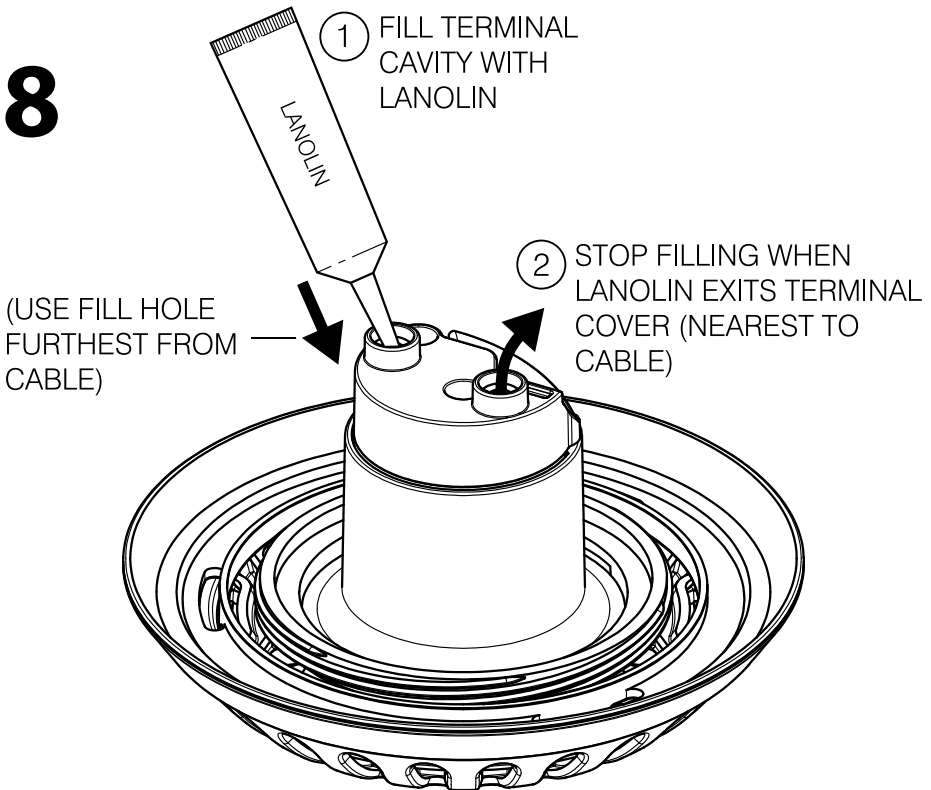
# 16



# 17

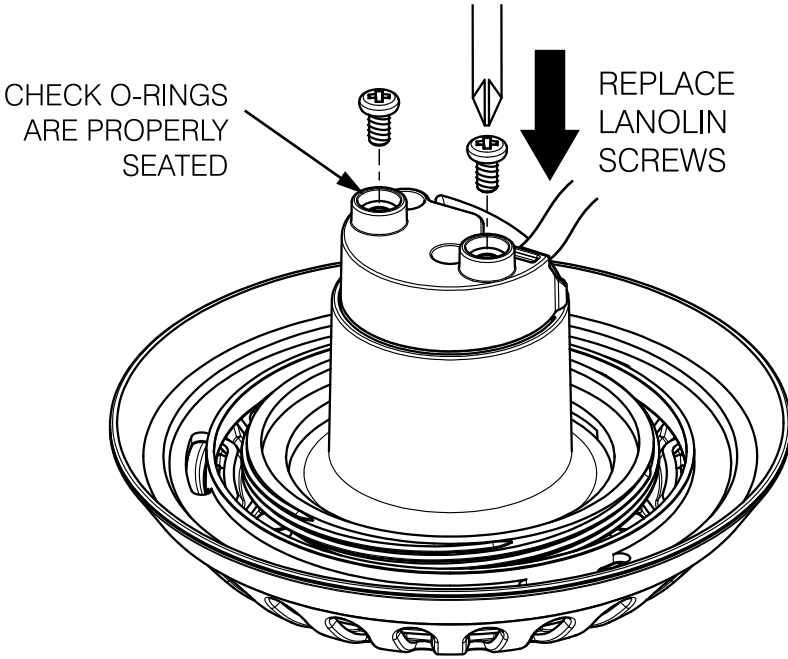


# 18



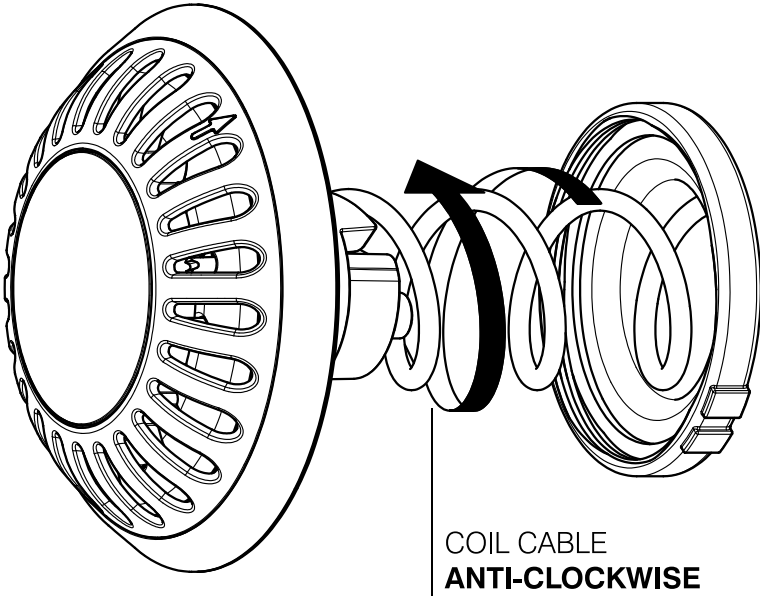


# 19

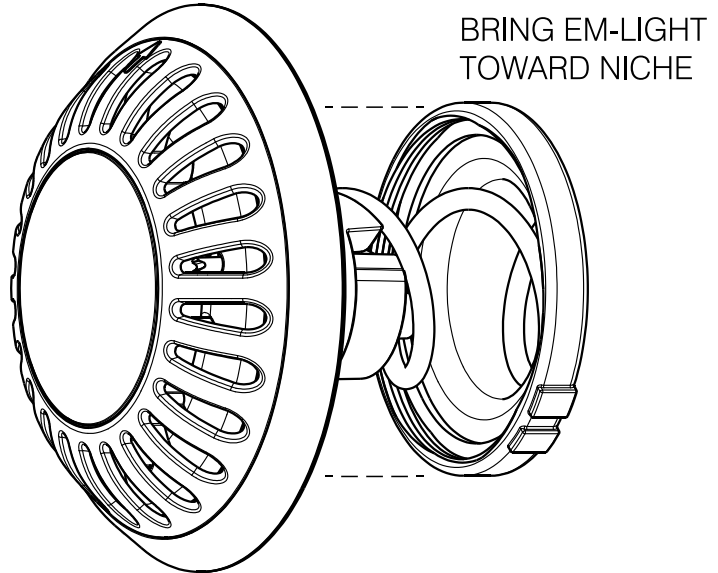


# INSTALL EMRX TO NICHE

1

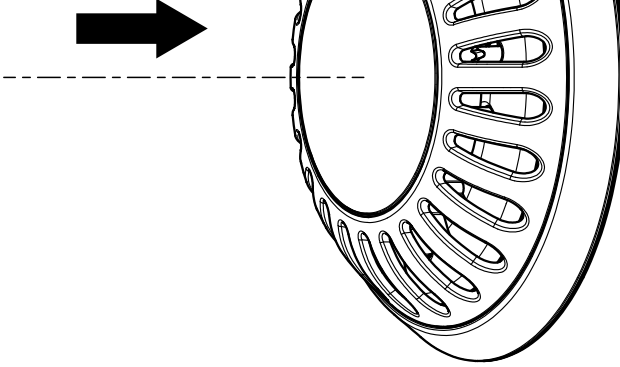


2



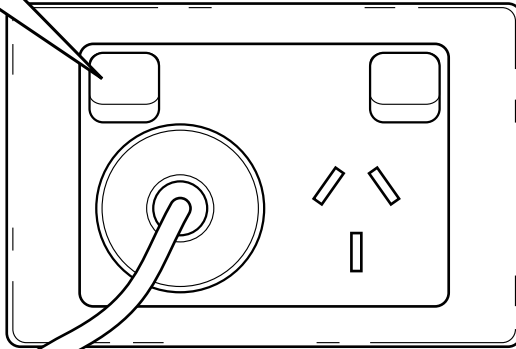
# 3

PUSH /FASTEN EMRX INTO NICHE ENSURING A FIRM FITMENT BY HAND ONLY



# 4

TURN  
POWER  
ON



TO POOL LIGHT

**\*NOTE**

ONLY TURN POWER ON ONCE LIGHT IS FULLY SUBMERGED IN WATER.



**NOTE**

PLEASE STORE THIS  
MANUAL IN A SAFE PLACE  
FOR FUTURE REFERENCE

 **Spa Electrics**

© COPYRIGHT 2018 SPA ELECTRICS PTY. LTD.  
ALL RIGHTS RESERVED