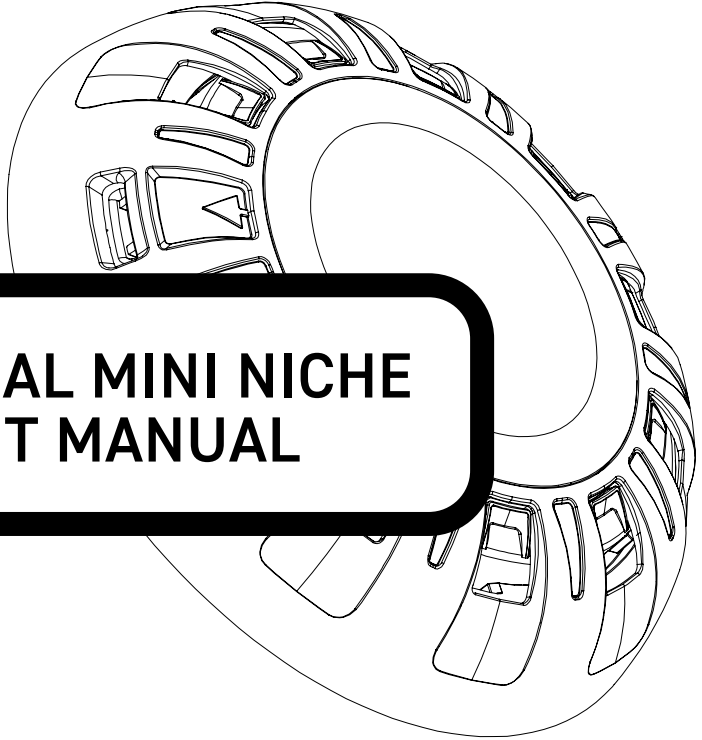


SE Spa Electrics®

retro®

REPLACEMENT LED POOL LIGHT



**UNIVERSAL MINI NICHE
RETRO FIT MANUAL**

AGR X R2

INSTALLATION & OWNER'S MANUAL

CONTENTS

QUICK REFERENCE TABLE	3
READ THIS FIRST	3
TOOLS REQUIRED	4
INCLUDED PARTS	5
TRANSFORMER VERIFICATION	6
LIGHT REMOVAL	7
CABLE PREPARATION	8
ADAPTOR PLATE INSTALLATION	12
ADAPTOR INSTALL - TYPE A	13
ADAPTOR INSTALL - TYPE B	14
AGRX 002 PLATE ASSEMBLY	17
POST INSTALLATION CHECK	19

PRODUCT SUPPORT AND INFORMATION

Telephone: 03 9793 2299 (Business hours 8:30 – 4:30)

SALES ENQUIRIES

E. sales@spaelectrics.com.au

TECHNICAL SUPPORT

E. tech@spaelectrics.com.au

www.spaelectrics.com.au

QUICK REFERENCE TABLE

LIGHT	INSTALLATION TYPE	INSTALL TYPE (A) SCREW LOCATIONS	INSTALL TYPE (B) ADAPTOR REQUIRED
ASTRAL CALIDORAY	CONCRETE/FIBREGLASS	-	PAL ADAPTOR
ASTRAL FLX	FIBREGLASS	C-C-C	-
AQUAQUIP EVO-FG	FIBREGLASS	SLOTS (SEE PG 13)	-
AQUA DE LIGHT/AUTUMN SOLAR	CONCRETE/FIBREGLASS	-	*AGRX 002
LUMASCAPE	CONCRETE/FIBREGLASS	B-B	-
PAL EVENGLOW	CONCRETE	A-A	-
	FIBREGLASS	-	PAL ADAPTOR
PAL 2000	CONCRETE/FIBREGLASS	-	PAL ADAPTOR
SPA ELECTRICS EMF/EMC	CONCRETE/FIBREGLASS	-	EM ADAPTOR
SPA ELECTRICS EMV	VINYL	-	*AGRX 002
WATERCO SLIM 90	FIBREGLASS	-	PAL ADAPTOR

READ THIS FIRST

This booklet contains important information about the correct installation and handling of the AGRX Series lights. **Please read this booklet carefully** before commencing installation to familiarise yourself with the included parts, accessories and correct installation procedures.

BEFORE YOU START

- If required, ensure that the transformer is installed by a suitable qualified persons (e.g., registered pool builder and/or qualified electrician), in accordance with AS/NZS 3000:2018 standards.
- For safe and proper installation, ensure that only those parts supplied with the system are used.
- Check that there is enough cable behind the existing light to allow for servicing above water, preferably at ground-level pool-side.
- Ensure the pool light end of cable is circular and free of damage or imperfections i.e., cuts, cracks or deformation. If possible, trim back until fresh end of cable is available.
- Confirm existing transformer is a iron core type, 12V AC ONLY and in good working order (If in doubt contact Spa Electrics).

CLEANING

- Only use warm water and a soft brush or cloth to clean AGRX Series. DO NOT use detergents or spirits as this can damage the light and void your warranty.

USE

- Operating the light for at least 15 minutes every week is advised (all year round)
- AGRX Series lights are suited for both domestic and commercial installations.

WARNING



- The **AGRX Series** light must only be powered by a 12V AC iron core type transformer.
- DO NOT use electronic or switch-mode transformers with **AGRX Series** lights. These transformers will damage the light and void your product warranty.
- Pool chemicals & pH levels: Due to the corrosive nature of unbalanced pool chemicals, Spa Electrics strongly recommends that your pool water is balanced prior to installing your pool lights or any plastic or stainless-steel components and tested weekly to maintain these levels. pH level should be maintained between 7.2 – 7.6 at all times to ensure the longevity of these components.
 - Failure to do so can result in chemical damage to the light housing and pool fittings, including stainless steel components
 - Please note: Lights or components found to have excessive chemical damage will not be covered under our manufacturer's warranty policy
- This light contains no user-serviceable parts; opening the light will void the product warranty.

TOOLS REQUIRED

✓ Flat-blade screw driver

✓ Cable stripper/Side Cutters

✓ Phillips Head (No 2) screw-driver

✓ Pliers

IMPORTANT NOTES

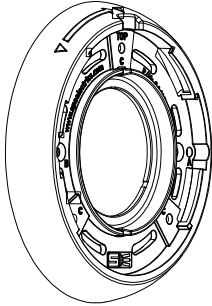


The use of power tools (such as 240V and cordless drills) during installation is not recommended as these devices can cause faults and damage to light components.

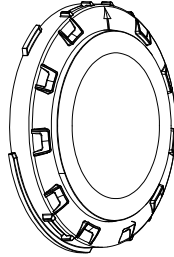
If you are unsure, please contact Spa Electrics

INCLUDED PARTS

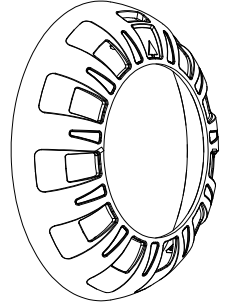
MODEL: AGRX R2



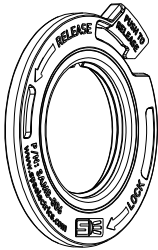
R2 ADAPTOR PLATE
(P/N: SAMB 003)



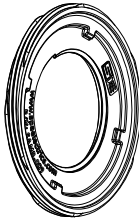
AGRX LIGHT



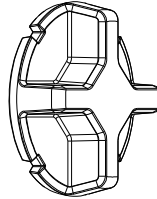
R2 RIM
(P/N: AGRX 008R2)



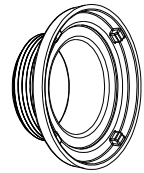
EM ADAPTOR
(P/N: SAMB 004)



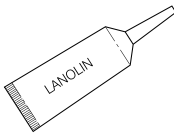
PAL ADAPTOR
(P/N: SAMB 009)



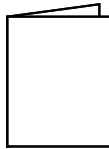
ADAPTOR TOOL
(P/N: VIVO 045)



ADAPTOR THREAD
(P/N: VIVO 041)



LANOLIN

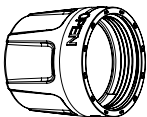


**1 X WARRANTY
CARD**



**2 X LUMASCAPE
SCREWS**

PLUG ASSEMBLY (P/N: AGRX 003)



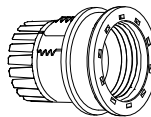
Connector
Collar



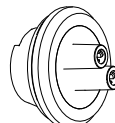
Gland
Nut



Glands X 3
Sizes Provided



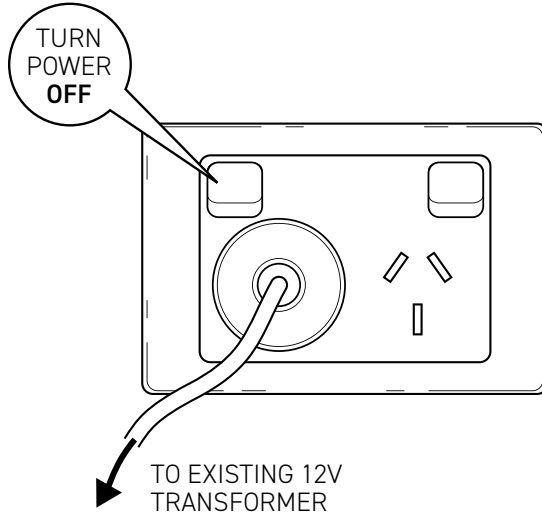
Connector
Barrel



Screw Terminal
End with filling
screws attached

TRANSFORMER VERIFICATION

1 TURN POWER OFF



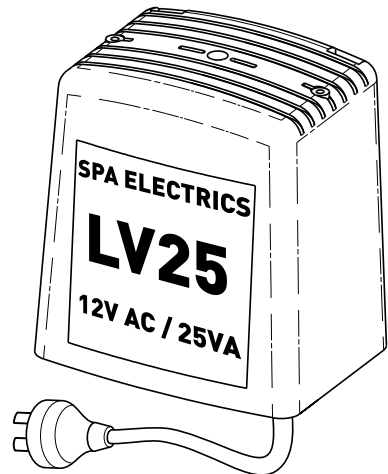
2 CHECK TRANSFORMER

EXISTING TRANSFORMER MUST BE:

- 12V AC ONLY
- MIN 15 WATT (PER LIGHT)
- IN GOOD WORKING ORDER

EXISTING TRANSFORMER MUST NOT BE:

- DC OR LED DRIVER
- ELECTRONIC OR SWITCH MODE
- WEATHER DAMAGED OR IN OTHERWISE POOR CONDITION



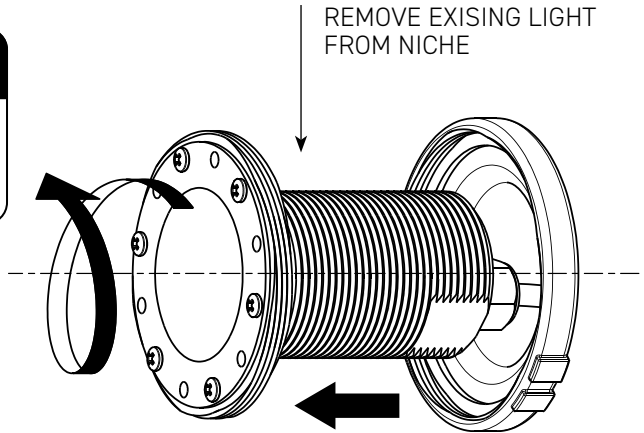
LIGHT REMOVAL

3 REMOVE EXISTING LIGHT

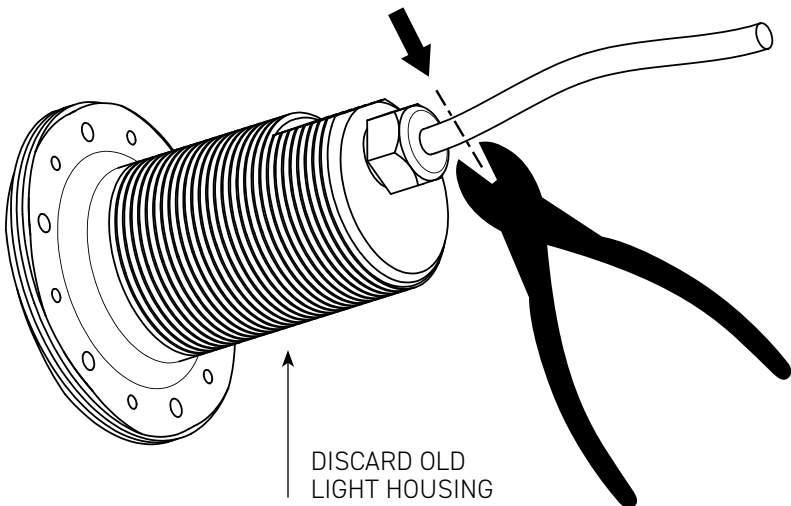
IMPORTANT



RETAIN EXISTING
MOUNTING SCREWS.
SEE PAGE 12



4 DISCONNECT EXISTING LIGHT



CABLE PREPARATION

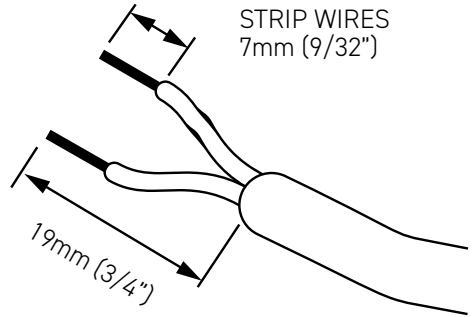
5 CABLE PREPARATION

STRIP POWER CABLE
TO SPECIFIED LENGTH

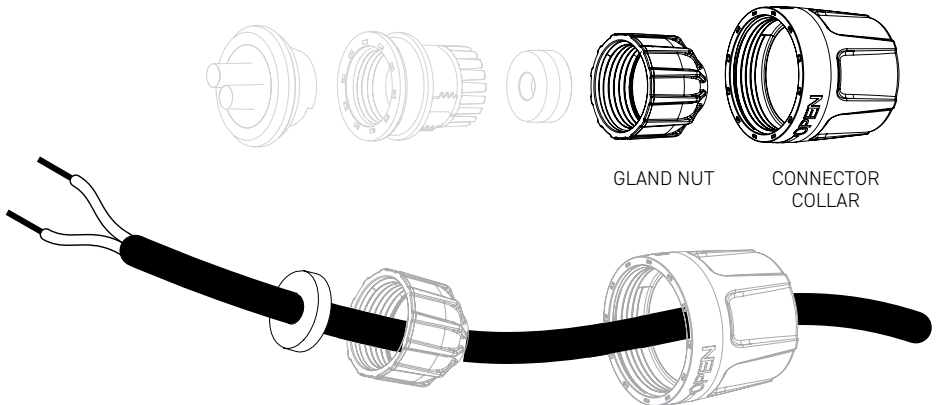
NOTE



IF CABLE LENGTH ALLOWS,
CUT CABLE BACK UNTIL
FRESH COPPER APPEARS



6 START ASSEMBLY OF CONNECTOR PLUG

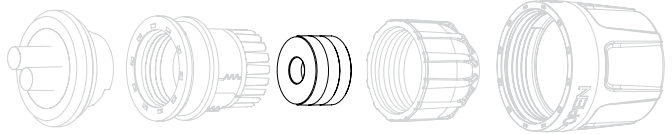


FEEED THE CONNECTOR
COLLAR AND GLAND
NUT ONTO THE CABLE,
AS SHOWN

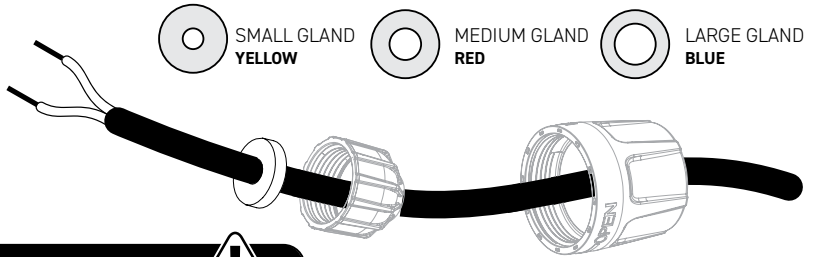
7

CHOOSE THE APPROPRIATE GLAND

SELECT A CABLE GLAND FROM THE THREE SUPPLIED THAT SNUGLY FITS THE EXISTING POWER CABLE



GLANDS
X 3 SIZES
PROVIDED



IMPORTANT

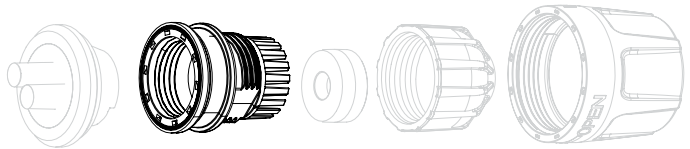


IF GLAND IS EXCESSIVELY TIGHT OR BULDGING WHEN FITTED, REPLACE WITH LARGER GLAND SIZE

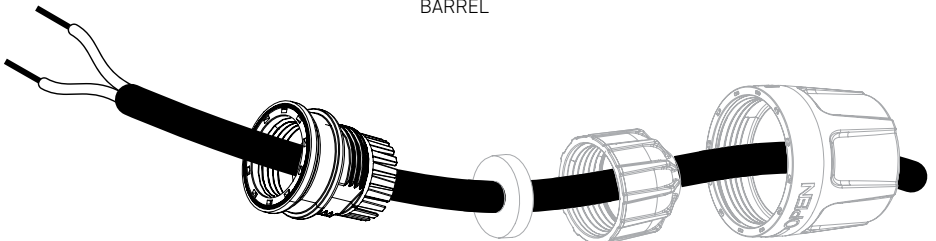
8

CONTINUE ASSEMBLY OF CONNECTOR PLUG

FEED THE CONNECTOR BARREL ONTO THE CABLE

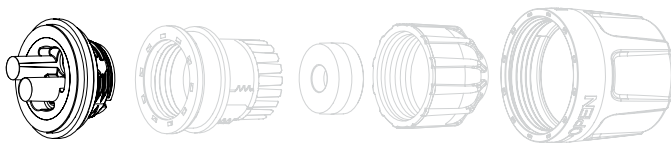


CONNECTOR
BARREL



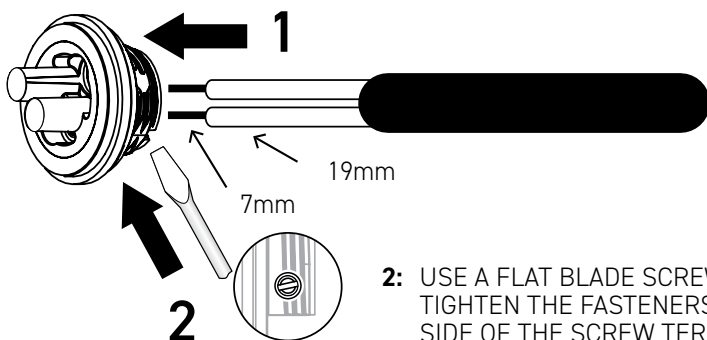
9

CONNECT THE SCREW TERMINAL END



SCREW TERMINAL END

- 1: FEED THE TWO STRIPPED CABLE ENDS THROUGH THE TWO HOLES IN THE BACK OF THE SCREW TERMINAL END



- 2: USE A FLAT BLADE SCREWDRIVER TO TIGHTEN THE FASTENERS ON EITHER SIDE OF THE SCREW TERMINAL

10

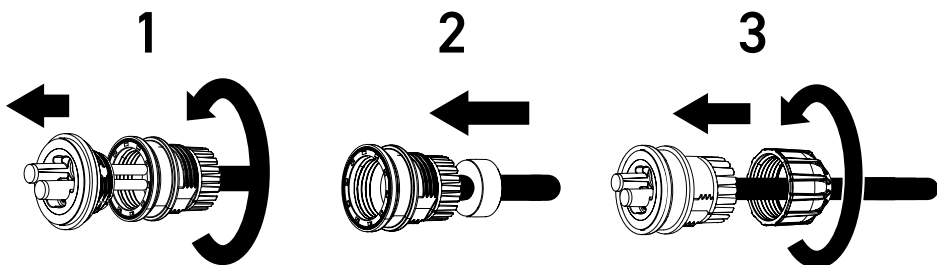
CONTINUE ASSEMBLY OF CONNECTOR PLUG

- 1: CAREFULLY THREAD CONNECTOR BARREL ONTO SCREW TERMINAL END AND TIGHTEN FIRMLY BY HAND
- 2: SEAT CABLE GLAND ALL THE WAY INTO CONNECTOR
- 3: CAREFULLY THREAD GLAND NUT ONTO CONNECTOR BARREL AND TIGHTEN FIRMLY BY HAND

IMPORTANT



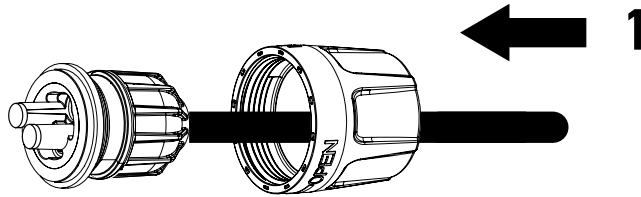
ONCE ASSEMBLED DO A VISUAL CHECK TO ENSURE A TIGHT SEAL ON CABLE



11

CONTINUE ASSEMBLY OF CONNECTOR PLUG

1. SLIDE CONNECTOR COLLAR OVER PLUG ASSEMBLY AS SHOWN



12

ADD LANOLIN

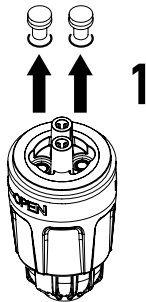
LANOLIN USE



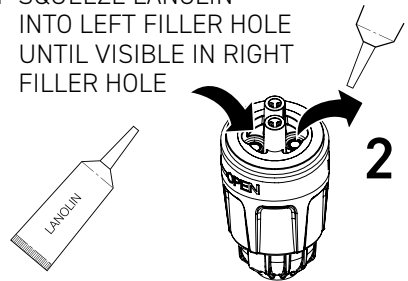
GENTLY WARM
LANOLIN
BEFORE USE



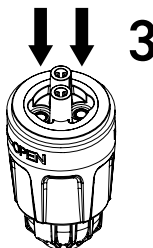
1. REMOVE 2 X FILLER SCREWS AND O-RING SEALS FROM SCREW TERMINAL PLUG



2. SQUEEZE LANOLIN INTO LEFT FILLER HOLE UNTIL VISIBLE IN RIGHT FILLER HOLE

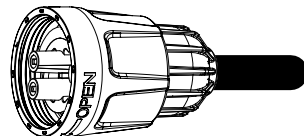


3. ENSURE O-RINGS ARE IN PLACE BEFORE FASTENING THE 2X FILLER SCREWS IN THE FILLER HOLES



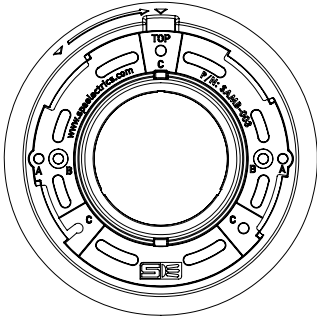
ENSURE NOT TO
OVER TIGHTEN

ASSEMBLED VIEW OF CONNECTOR PLUG

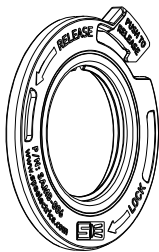


ADAPTOR PLATE INSTALLATION

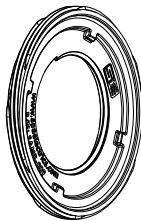
LIGHT	INSTALLATION TYPE	INSTALL TYPE (A) SCREW LOCATIONS	INSTALL TYPE (B) ADAPTOR REQUIRED
ASTRAL CALIDORAY	CONCRETE/FIBREGLASS	-	PAL ADAPTOR
ASTRAL FLX	FIBREGLASS	C-C-C	-
AQUAQUIP EVO-FG	FIBREGLASS	SLOTS (SEE PG 13)	-
AQUA DE LIGHT/AUTUMN SOLAR	CONCRETE/FIBREGLASS	-	*AGR X 002
LUMASCAPE	CONCRETE/FIBREGLASS	B-B	-
PAL EVENGLOW	CONCRETE	A-A	-
	FIBREGLASS	-	PAL ADAPTOR
PAL 2000	CONCRETE/FIBREGLASS	-	PAL ADAPTOR
SPA ELECTRICS EMF/EMC	CONCRETE/FIBREGLASS	-	EM ADAPTOR
SPA ELECTRICS EMV	VINYL	-	*AGR X 002
WATERCO SLIM 90	FIBREGLASS	-	PAL ADAPTOR



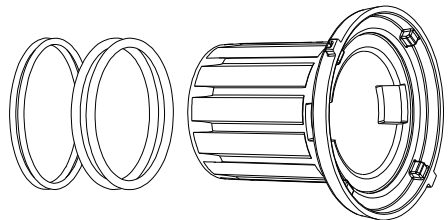
R2 ADAPTOR PLATE
(P/N: SAMB 003)



EM ADAPTOR
(P/N: SAMB 004)



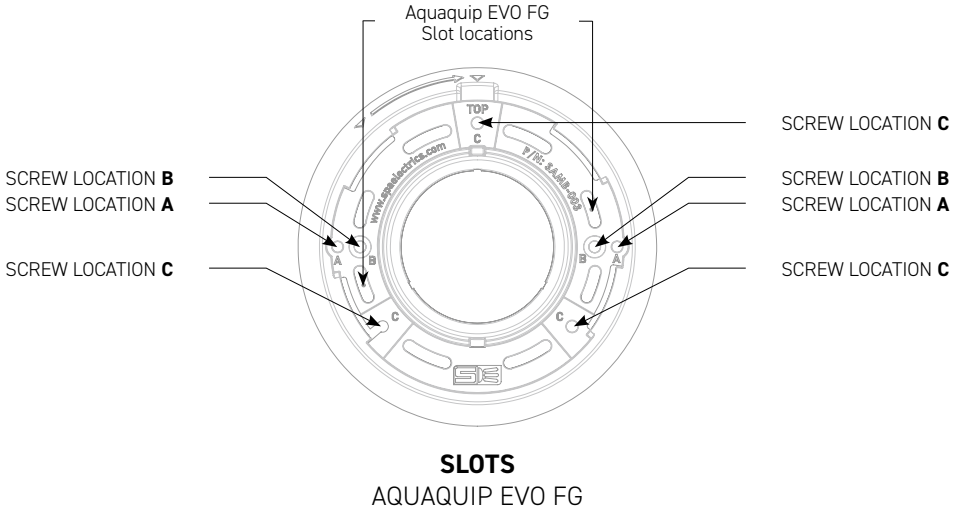
PAL ADAPTOR
(P/N: SAMB 009)



AGR X 002 - * **SOLD SEPARATELY**
INSTRUCTIONS ON PAGE 17

ADAPTOR INSTALL - TYPE (A)

1 IDENTIFY SCREW POSITIONS



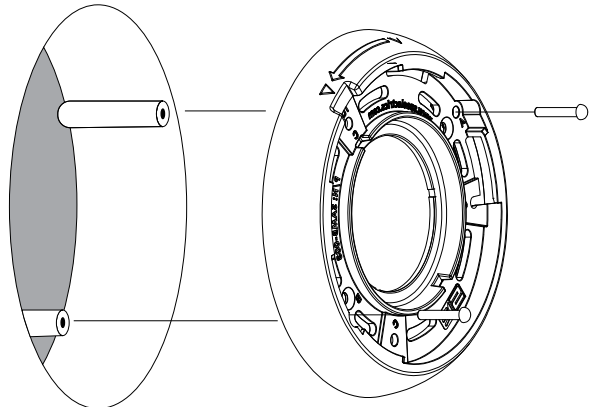
2 ATTACH ADAPTOR PLATE

PLACE THE ADAPTOR
PLATE OVER THE NICHE
AND FASTEN **USING**
EXISTING SCREWS

NOTE



FOR LUMASCAPE
INSTALLATIONS, PLEASE
USE SCREWS PROVIDED



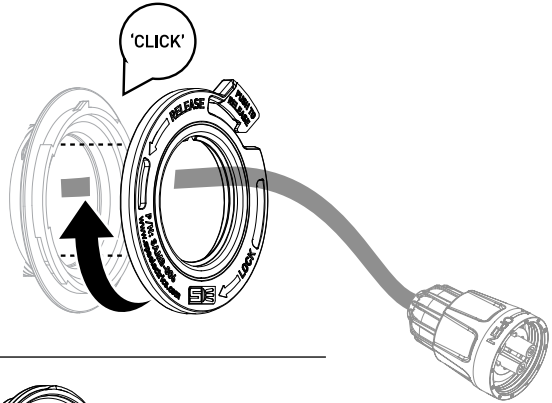
ADAPTOR INSTALL - TYPE (B)

1 ATTACH NICHE ADAPTOR

ATTACH THE REQUIRED ADAPTOR (SEE TABLE ON PG 12) TO THE EXISTING NICHE

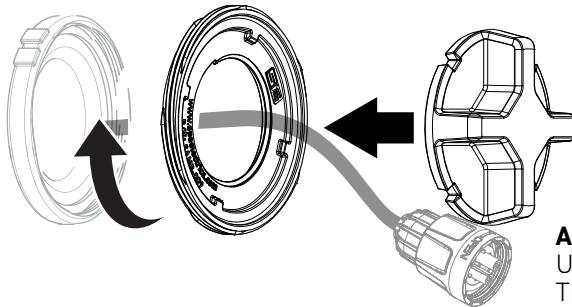
EM ADAPTOR

CLIP THE EM ADAPTOR ONTO THE EXISTING EM BAYONET



PAL ADAPTOR

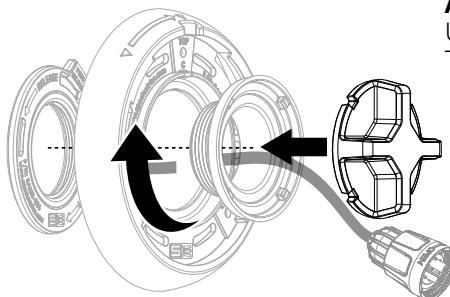
THREAD THE PAL ADAPTOR INTO THE EXISTING NICHE



ADAPTOR TOOL
USE TOOL TO TIGHTEN THREAD

2 ATTACH ADAPTOR PLATE

PLACE THE ADAPTOR PLATE OVER THE EXISTING NICHE AND INSTALL THE ADAPTOR THREAD



ADAPTOR TOOL
USE TOOL TO TIGHTEN THREAD

3

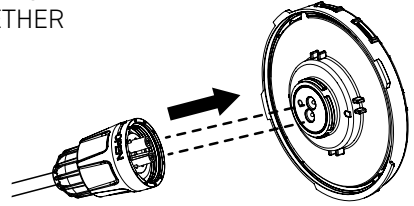
CONNECT THE TERMINALS

ALIGN THE TERMINAL PINS ON PLUG AND BACK OF LIGHT ASSEMBLY AND FIRMLY CONNECT TOGETHER

IMPORTANT NOTES



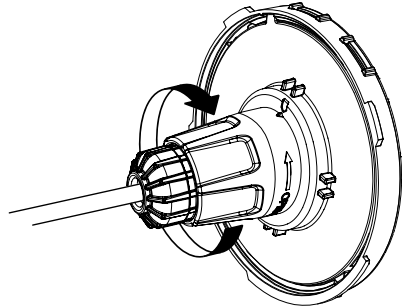
- DO NOT ADD SEALANTS, GREASES OR ADHESIVES
- ENSURE ALL SURFACES ARE CLEAN AND DRY
- **DO NOT ASSEMBLE UNDERWATER**



4

FASTEN PLUG TO LIGHT

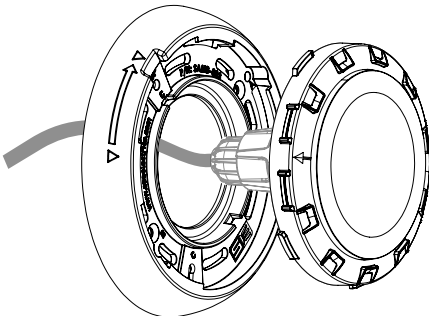
THREAD PLUG COLLAR ONTO AGRX LIGHT AND TIGHTEN FIRMLY BY HAND



5

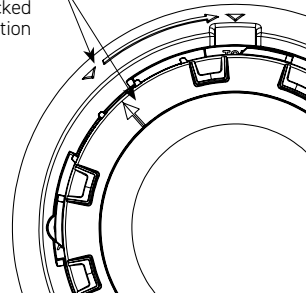
INSTALL LIGHT ONTO SMALL ADAPTOR PLATE

ALIGN THE ARROW ON THE LIGHT WITH THE LEFT ARROW (11 O'CLOCK POSITION) ON THE SMALL ADAPTOR PLATE



Align Arrows

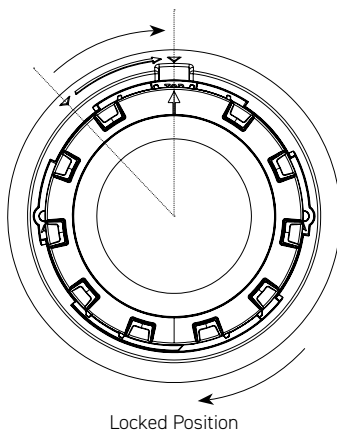
Arrow alignment showing unlocked position



Unlocked Position

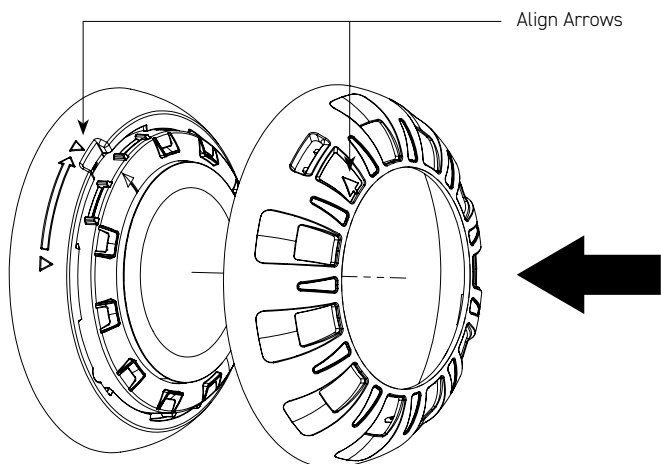
5 STEP 5 CONTINUED...

TWIST LIGHT CLOCKWISE UNTIL TOP ARROWS ALIGN

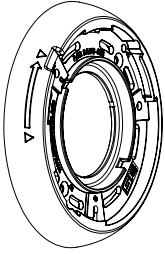


6 CLIP ON RIM

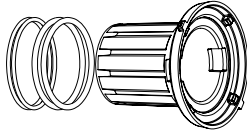
ALIGN THE ARROW ON THE RIM WITH THE TOP ARROW (12 O'CLOCK POSITION) ON THE ADAPTOR PLATE PRESS THE RIM ONTO THE LIGHT BY HAND



AGRX 002 PLATE ASSEMBLY



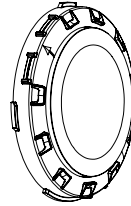
R2 ADAPTOR PLATE
(P/N: SAMB 003)



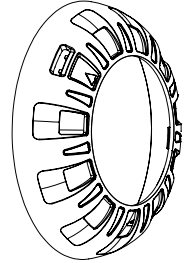
AGRX 002
Kit Includes
2x Set of O'Rings.
(2x3mm & 2x1mm)



ADAPTOR TOOL
(P/N: VIVO 045)



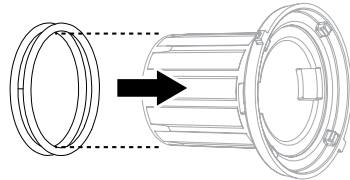
AGRX LIGHT



R2 RIM
(P/N: AGRX 008R2)

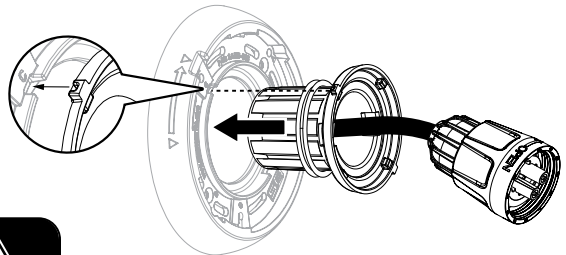
STEP 1

PLACE THE SMALL O-RINGS OVER THE AGRX 002 FRICTION FIT ADAPTOR



STEP 2

SLIDE THE FRICTION FIT ADAPTOR THROUGH THE ADAPTOR PLATE, ALIGNING THE TABS ON THE AGRX 002 ADAPTOR WITH THE SLOTS ON THE ADAPTOR PLATE



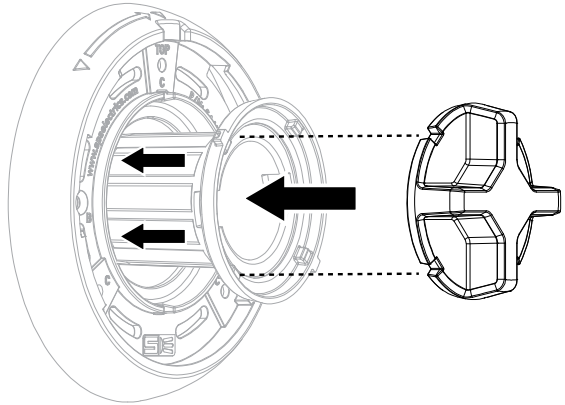
NOTE



IF MORE ENGAGEMENT IS REQUIRED,
INSTALL THE LARGER O-RINGS ONTO
THE AGRX 002 ADAPTOR

STEP 3

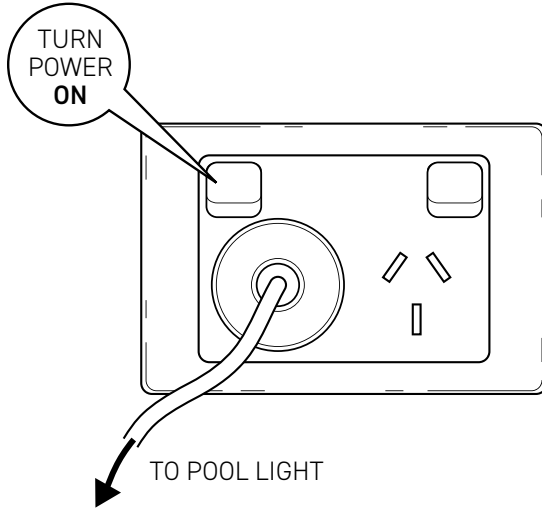
USING THE ADAPTOR
TOOL PUSH THE AGRX 002
ADAPTOR INTO THE EXISTING
NICHE PIPE



POST INSTALLATION CHECK

1

TEST SYSTEM





 **Spa Electrics**[®]

© COPYRIGHT 2022 SPA ELECTRICS PTY. LTD.
ALL RIGHT RESERVED

2022 11 11