

MODEL GK6

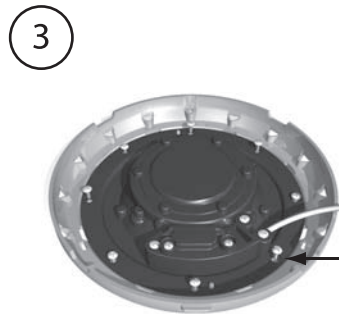
Globe changing instructions.



Remove the fixing screw from the top of the light.

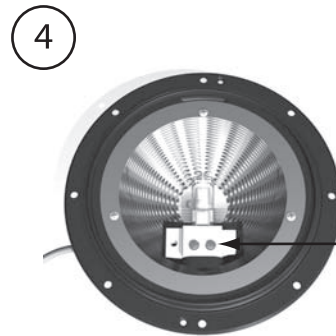


Tilt the light back from the top and remove, raise the light above water level to the top of the coping.



Dry the light thoroughly with a towel ensuring no water enters the light cavity.

Remove the eight screws from the backplate.

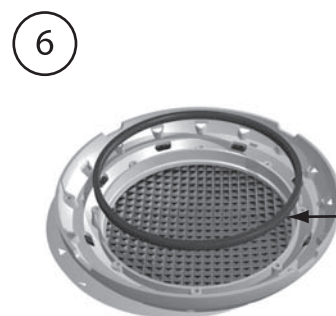


Remove the backplate from the rim and turn over to reveal the globe.

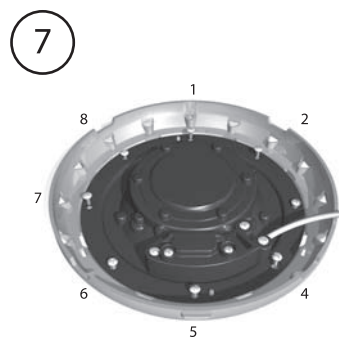
Loosen the two connector screws and slide the globe and connector up to remove from the terminal posts.



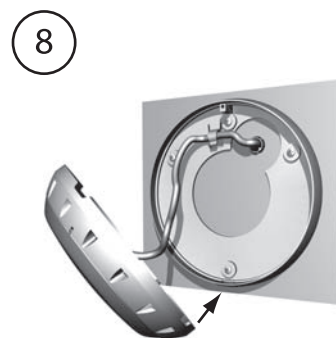
Without touching the globe, slide the new globe and connector onto the terminal posts. Ensuring the connector is straight, tighten the two connector screws.



Remove and replace the gasket inside the rim. Part number - GK603.



Place the backplate back into the rim and align using the locating pins. Replace the eight screws and tighten in sequence. (1, 5, 3, 7, 2, 6, 4, 8).



Place the bottom edge of the light into the mounting plate first then spool the excess cable behind the light.



Replace the fixing screw and lightly tighten.

Note : Please remember lights are not to be turned on when out of water.