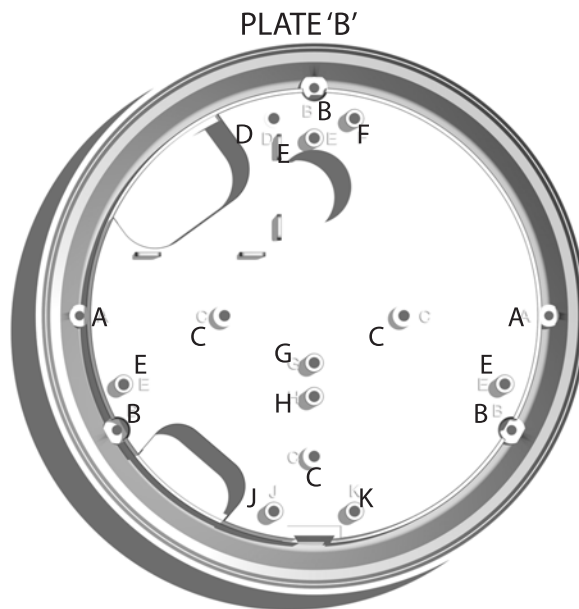
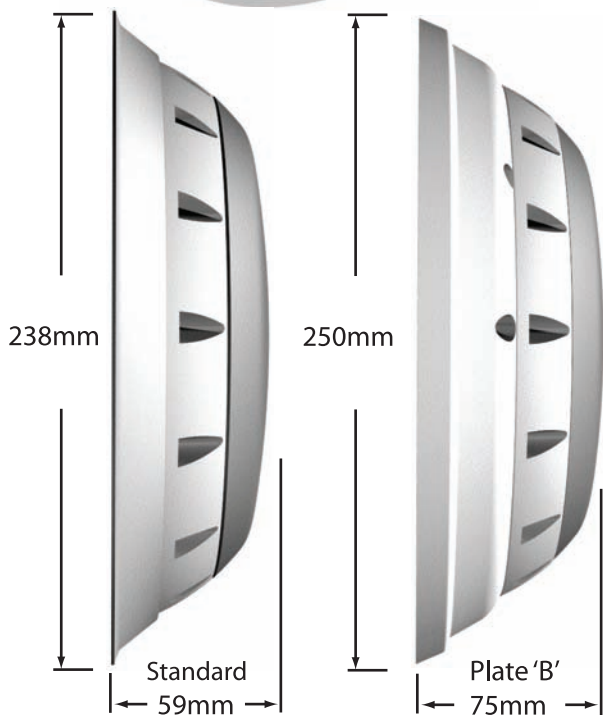


MODEL GK7RX

Surface mounted replacement pool light.
(Ceramic Light Engine - **Retro Fit Light**).



- Suitable for concrete and fibreglass pools.
- Single colour available in 12 volt or 24volt.
Please specify required voltage when placing your order.
- Multicolour available in 12 volt ac ONLY.
- No cable joining, connection on back of light.
- Unique electrical connection, so power cable does not intrude into light cavity, eliminating possible sources of water entry.
- To ensure synchronization of multi-colour lights, all transformers must be controlled from a single isolating switch.
- Spa Electrics Pty Ltd is a fully Australian owned and operated company.
- Patented.



Replaces these existing lights.

POOL LIGHT (BRAND NAME)	TILED	F/GLASS	RENDERED	PLATE	REMOVE TABS
STROUD C150	X	X	X	STD	
WATERCO	X			STD	
		X		B	E,G,H
POOLRITE	X			STD	
		X		B	D,E,F,G,H,J,K
SPA ELECTRICS SE3	X			STD	
		X		B	D
QUESTA / WATERLINX / MAGIC POOL PRODUCTS	X			STD	
		X		B	D
DEGA	X			STD	
SWIMWORLD (WITH STEEL WALL RING)	X			STD	
SWIMWORLD	X	X	X	B	
AQUAQUIP	X			STD	
		X	X	B	
FILTRITE	X	X	X	B	Conversion kit GK6710 required

Warning: This light is suitable for 12 volt AC ONLY.



Retro Kit - Ceramic Light Engine.

Installation Instructions for the Spa Electrics GK7RX surface mounted light.

Step 1.

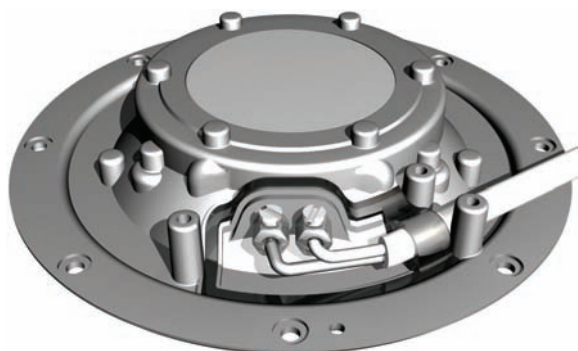
Select the appropriate backplate for your needs. Affix the backplate to the finished pool wall utilising the appropriate fixing holes using only the screws provided.

Ensure that the 'TOP' marking on the backplate is facing up.



Step 3.

Seat the cable gland into the recess as shown and connect the cables to the terminals.



Step 5.

Gently tighten the fixing screw to lock the Light securely into the backplate.

Once your Light is fully submerged it is ready for use.

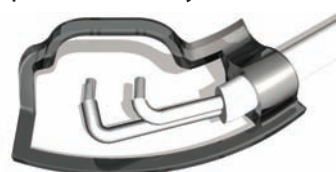


Step 2.

Remove the 3 screws from the terminal cover.

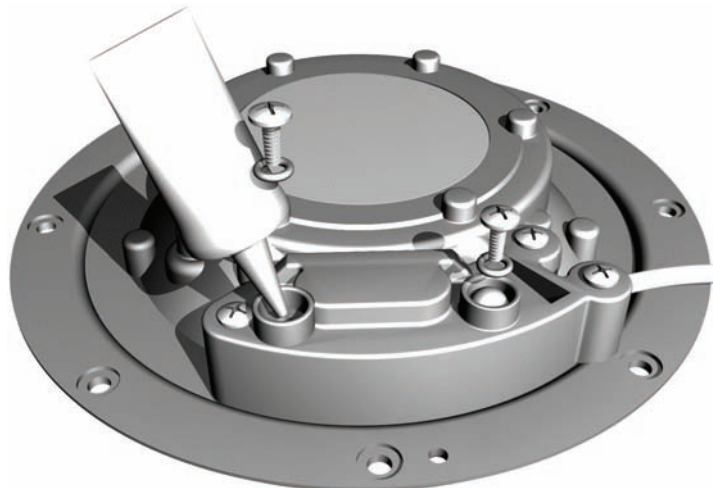


Select the appropriate sized terminal cover seal from the 4 provided, for your sized cable.



Step 4.

Affix the terminal cover over the seal with the 3 screws provided. (as removed in step 2.) Remove the 2 filler screws and o-rings, Rub tube gently between hands to soften contents for easy application then fill the cavity until the sealant flows out of the 2nd filler screw hole, replace the 2 filler screws and o-rings then gently tighten the 2 filler screws.



Important Points to note.

- For safe and proper installation, use only parts (screws, plugs, cable etc) provided.
- For operating instructions please refer to the multicolour user manual.

Warnings.

- The light must be water cooled at all times. DO NOT switch the light on until installation is complete and the light is fully submerged in water.
- Ensure sufficient cable is coiled behind the light for servicing. (800mm to 1000mm).
- This light must NOT be used with electronic or switch mode transformers.
- This light does not contain any user serviceable parts, opening this light will void the warranty.
- When using plate 'B' for fibreglass - ensure that silicon sealant is applied to fixing screws to prevent leaks.
- This light is not suitable for horizontal mounting.