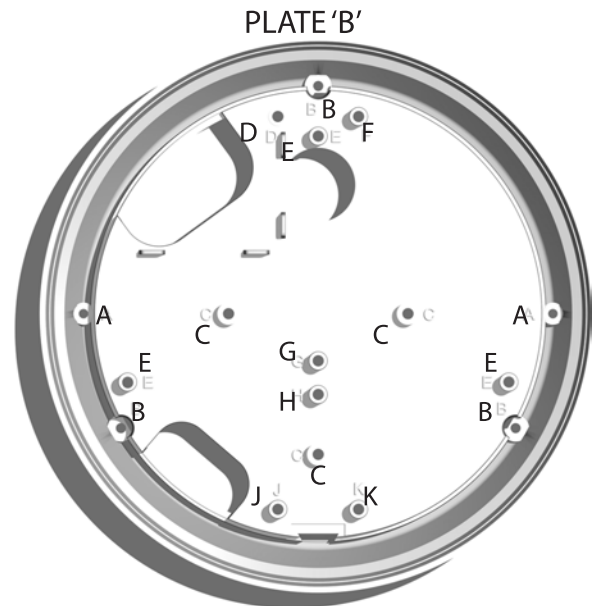
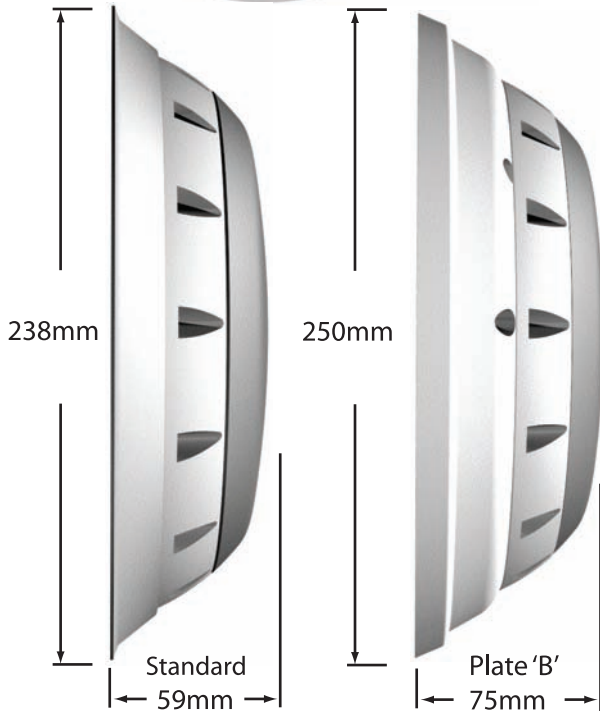


# MODEL GK6RX

Surface mounted replacement pool light.  
( Halogen - **Retro Fit Light** ).



- Suitable for concrete and fibreglass pools.
- No cable joining, connection on back of light.
- Unique electrical connection, so power cable does not intrude into light cavity, eliminating possible sources of water entry.
- Extra low voltage: 12 volt, 100 watt.  
24 volt, 150 watt.  
32 volt, 150 watt.
- Spa Electrics Pty Ltd is a fully Australian owned and operated company.
- Patented.



Replaces these existing lights.

POOL LIGHT (BRAND NAME)	TILED	F/GLASS	RENDERED	PLATE	REMOVE TABS	VOLT/WATT
STROUD C150	X	X	X	STD		32V 150W
WATERCO	X			STD		12/24V 100/150W
		X		B	E,G,H	12/24V 100/150W
POOLRITE	X			STD		12/24V 100/150W
		X		B	D,E,F,G,H,J,K	12/24V 100/150W
SPA ELECTRICS SE3	X			STD		12/24V 100/150W
		X		B	D	12/24V 100/150W
QUESTA / WATERLINX / MAGIC POOL PRODUCTS	X			STD		12V 100W
		X		B	D	12V 100W
DEGA	X			STD		24/32V 150W
SWIMWORLD (WITH STEEL WALL RING)	X			STD		12V 100W
SWIMWORLD	X	X	X	B		12V 100W
AQUAQUIP	X			STD		12/24V 100/150W
		X	X	B		12/24V 100/150W
FILTRITE	X	X	X	B		12V 100W

( requires conversion kit, part: GK6710 )



# Retro Kit - Halogen Light.

## Installation Instructions for the Spa Electrics GK6RX surface mounted light.

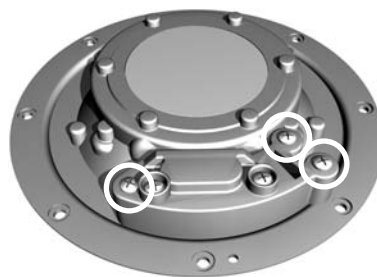
### Step 1.

Select the appropriate backplate for your needs.  
Affix the backplate to the finished pool wall utilising the appropriate fixing holes using only the screws provided.  
Ensure that the 'TOP' marking on the backplate is facing up.



### Step 2.

Remove the 3 screws from the terminal cover.

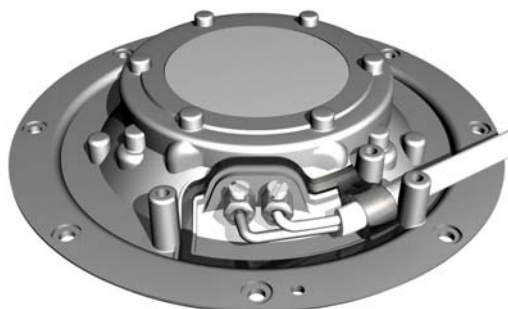


Select the appropriate sized terminal cover seal from the ones provided, for your sized cable.



### Step 3.

Place the cover seal into the recess provided and connect the cables to the terminals.

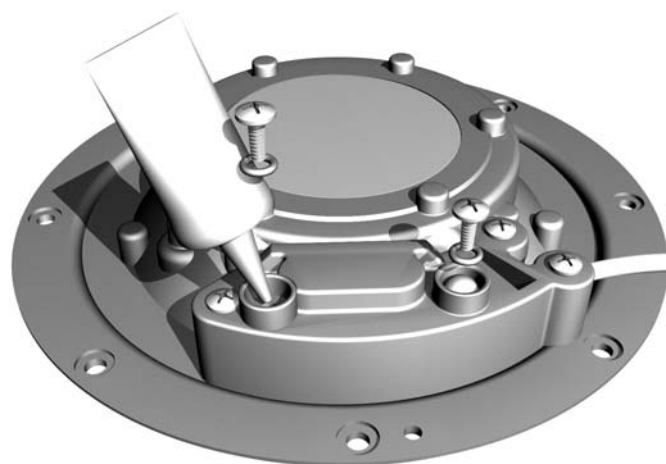


### Step 4.

Affix the terminal cover over the seal with the 3 screws provided. (as removed in step 2.)  
Remove the 2 filler screws and o-rings, Rub tube gently between hands to soften contents for easy application then fill the cavity until the sealant flows out of the 2nd filler screw hole, replace the 2 filler screws and o-rings then gently tighten the 2 filler screws.

### Step 5.

Gently tighten the fixing screw to lock the Light securely into the backplate.  
Once your quality Spa Electrics Light is fully submerged it is ready for use.



### Important Points to note.

- For safe and proper installation, use only parts (screws, plugs, cable etc) provided.
- To ensure maximum life, your light should be used regularly throughout the year, i.e once per week.
- Do not operate your halogen underwater light for a continuous period extending beyond eight hours per day.
- This product has been designed for domestic use only, not for commercial or security purposes.

### Warnings.

- The light must be water cooled at all times. DO NOT switch the light on until installation is complete and the light is fully submerged in water.
- Ensure sufficient additional cable is coiled behind the light for servicing. (800mm to 1000mm).
- When using fibreglass plate 'B' - ensure that silicon sealant is applied to fixing screws to prevent leaks.
- This light is not suitable for horizontal mounting.