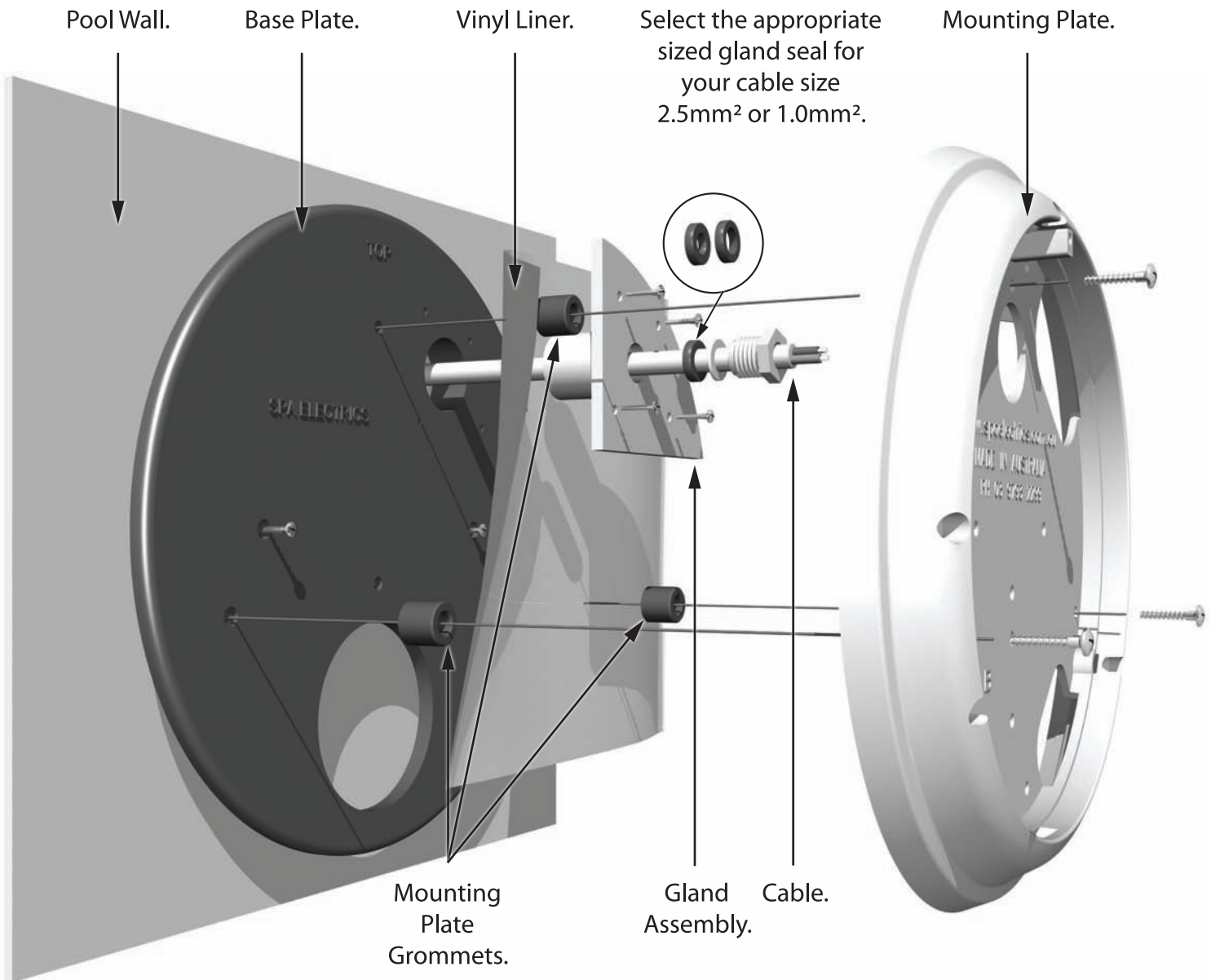


# MODEL GK6721

Mounting kit for Vinyl Pools and Spas .

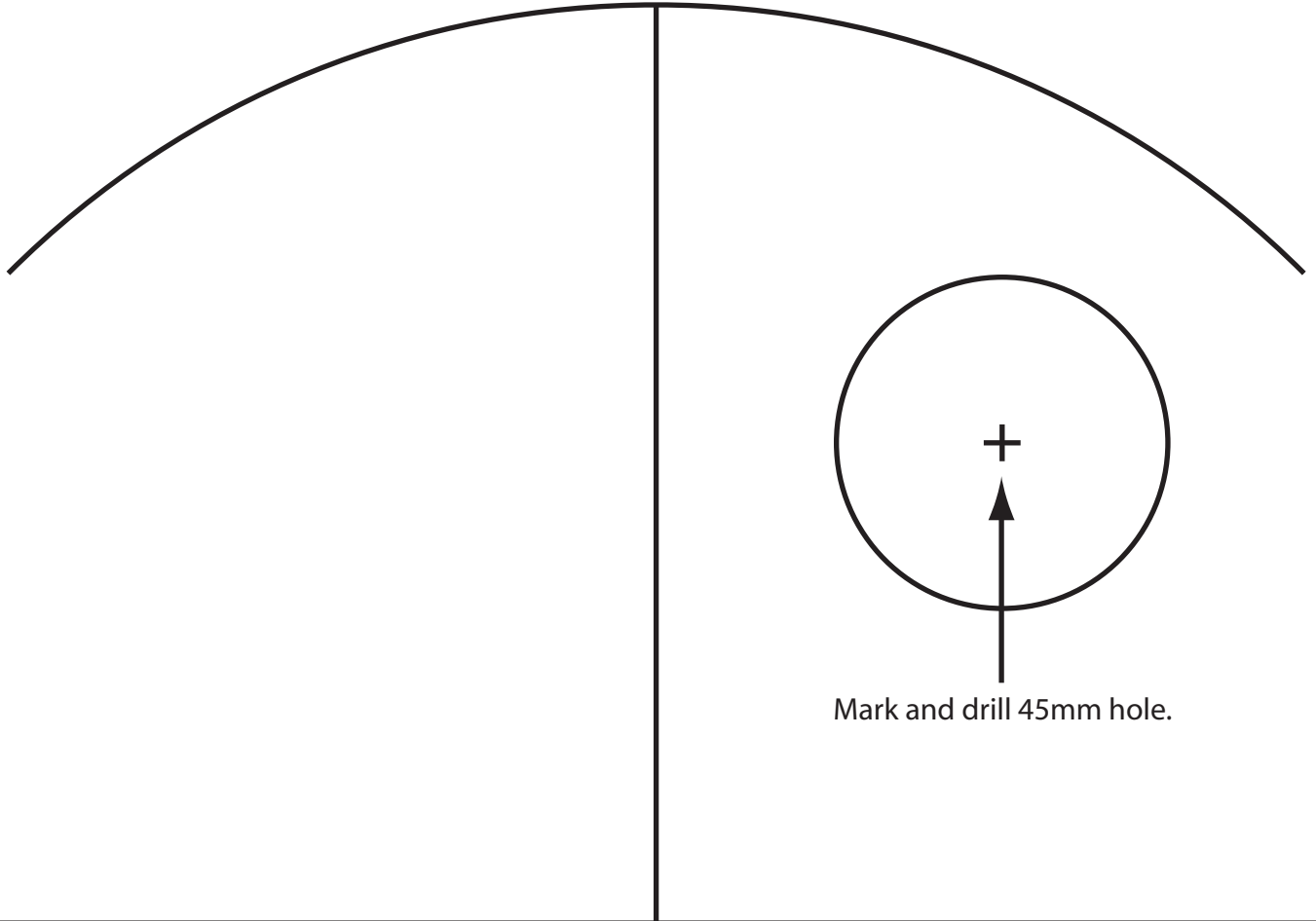


## Instructions:

1. Using the template (overleaf) against the pool wall, mark and drill the 45mm hole.
2. Fix the base plate to the pool wall with the 2 white plugs and screws provided (2 x 1" x 8 gauge).
3. When the liner is stretched back into position, slit the liner across the 45mm hole and insert the gland assembly, locate the 4 fixing holes and affix the gland assembly to the base plate using the supplied fixing screws provided (4 x 1/2" x 8 gauge).
4. Select the appropriate size of gland seal for your cable size and feed enough cable through the gland assembly to allow the light to be raised above water level to enable easy servicing (approx 1m).
5. Tighten the nut on the gland assembly to seal against the cable.
6. Ensure that the mounting plate grommets are in position on the screw posts 'E' on the back of the mounting plate (see overleaf).
7. Using the tabs (see overleaf) as a guide, place the mounting plate into position and fix it to the base plate via the holes 'E' (the three with the mounting plate grommets) using the screws provided (2 x 1" x 8 gauge).

Marking Template.

Top of light.



Mark and drill 45mm hole.

Centre of light.

Gland assembly  
locating tabs x4.

Mounting plate grommets  
in position on the screw posts 'E'.

